

AVANCE NEO

- Site Planning for AVANCE NEO Systems 300-800 MHz

User Manual
Version 011



Copyright © by Bruker Corporation

All rights reserved. No part of this publication may be reproduced, stored in a retrieval system, or transmitted, in any form, or by any means without the prior consent of the publisher. Product names used are trademarks or registered trademarks of their respective holders.

© January 14, 2020 Bruker Corporation

Document Number: 1000055448

P/N: H157654

Contents

1	Introduction	7
1.1	Units Used Within This Manual.....	7
2	Safety	9
2.1	The Magnetic Field.....	9
2.1.1	Exclusion Zone.....	10
2.1.2	Security Zone.....	10
2.1.3	The Safety Lines.....	10
2.1.3.1	The 0.5 mT (5 Gauss) Line.....	11
2.1.3.2	The 3.0 mT (30 Gauss) Line.....	11
2.1.4	Standards on Health and Safety in the Workplace.....	12
2.2	Transport and Rigging Safety.....	14
2.3	Ventilation.....	15
2.3.1	Regular Ventilation.....	15
2.3.2	Emergency Ventilation.....	15
2.3.3	Oxygen Level Sensors.....	16
2.4	Safe Handling of Cryogenic Substances.....	16
2.4.1	What is a Quench.....	16
2.4.2	Liquid Nitrogen Refills.....	17
2.4.3	Liquid Helium Refills.....	17
2.5	Earthquake Safety.....	18
2.6	Safety from Nearby Construction.....	18
2.7	Country-Specific Safety Regulations.....	19
2.8	Emergency Planning.....	19
2.8.1	Fire Department Notification.....	19
3	System Components	21
3.1	Superconducting Magnet Components.....	21
3.2	Console and Other System Components.....	22
3.3	CryoProbe System (Optional).....	23
3.4	CryoProbe Prodigy System (Optional).....	24
3.5	Other Optional Components.....	25
4	Magnet Access and Rigging	27
4.1	Considerations for Off-loading on Site.....	27
4.2	Considerations for Transport to the NMR laboratory.....	28
4.3	Transport Dimensions and Weights.....	29
4.3.1	Magnet Transport Dimensions.....	29
4.3.2	Magnet Stand Transport Dimensions.....	31
4.3.3	Magnet Transport Weights.....	32
4.3.4	Spectrometer and Accessories Transport Dimensions and Weights.....	33
4.4	Rigging Equipment.....	35
5	Ceiling Height Requirements	37
5.1	Helium Transfer Line.....	38

5.2	Minimum Ceiling Height	40
6	Magnetic Fringe Fields.....	43
6.1	Horizontal Fringe Fields	44
6.2	Vertical Fringe Fields	45
6.3	Fringe Field Plots	46
7	Environment and Site Survey Measurement	47
7.1	Vibrations	47
7.1.1	Integrated Isolator Options.....	48
7.1.2	General Vibration Guidelines	48
7.1.3	Measuring Floor Vibrations	50
7.1.4	Floor Vibration Guidelines: Bruker EMI Damping System	50
7.1.5	Floor Vibration Guidelines: Bruker Nano-C and Nano-D	52
7.1.6	Floor Vibration Guidelines: Bruker Nano-C API Damping System	53
7.2	Magnetic Environment	55
7.2.1	Guidelines for Static Objects.....	55
7.2.2	Guidelines for Moving Objects	55
7.3	Electromagnetic Interference	56
7.3.1	Types of EMF Interference	56
7.3.2	DC EMF Interference	56
7.3.2.1	Measuring DC Fluctuating Fields.....	57
7.3.2.2	Guidelines for DC Interference	57
7.3.2.3	Reducing DC Interference	57
7.3.3	AC EMF Interference	57
7.3.3.1	Measuring AC EMF Interferences.....	58
7.3.3.2	Guidelines for AC EMF Interference	59
7.3.3.3	Reducing AC EMF Interference	59
7.3.4	HF Interference	59
7.3.4.1	Measuring HF Fluctuating Fields	60
7.3.4.2	Most Commonly Studied Nuclei.....	60
7.3.4.3	Guidelines for HF Interference.....	60
7.3.4.4	Reducing HF Interference.....	60
8	Utility Requirements.....	61
8.1	Electrical Power Requirements.....	61
8.1.1	System Grounding and Potential Equalization of Avance Systems.....	63
8.2	Telecommunication.....	64
8.3	Compressed Gas	64
8.3.1	General Requirements.....	64
8.3.2	Gas Supply	65
8.3.3	Other Specifications.....	66
8.3.4	Compressed Air System	67
8.3.4.1	Air Compressors	68
8.3.4.2	Dryers	69
8.3.4.3	Filters	70
8.4	Liquid Nitrogen Requirements	70
8.5	Cooling Water	70
8.6	Lighting	71

8.7	HVAC (Heating Ventilation Air Conditioning)	71
8.7.1	Heat Dissipation into the Room	72
8.7.2	System Stability	73
8.8	Emergency Ventilation During Installation and Quenches	73
8.8.1	Emergency Exhaust Solutions	75
8.9	Fire Detection System and Fire Extinguishers	77
9	Floor Plan	79
9.1	Magnet Location	79
9.2	Dimensions and Mass of Equipment	80
9.3	Floor Load	80
9.4	Floor Types	83
9.5	Magnet Pits	83
9.6	Magnet Platform	84
9.7	Helium Flex Lines	84
9.8	Maximum Field Strengths for NMR Equipment	85
9.9	Cabinet Position	85
9.10	Worktable Position	85
9.11	Service Access Requirements	86
9.12	Layout Examples	87
10	CryoProbe and Other Accessories	91
10.1	CryoCooling Unit	93
10.2	Helium Compressors	93
10.2.1	Available Models	94
10.2.1.1	Helium Compressor - Indoor Water Cooled	94
10.2.1.2	Helium Compressor - Indoor Air Cooled	96
10.2.1.3	Helium Compressor - Outdoor Air Cooled	97
10.2.2	Space Requirements and Specifications	97
10.2.2.1	Indoor Helium Compressors	97
10.2.2.2	Outdoor Helium Compressors	98
10.3	Helium Cylinders	99
10.4	Summary of CryoProbe Options	99
10.5	CryoProbe Prodigy System (Optional)	101
10.6	CryoFit	103
10.6.1	Introduction	103
10.6.2	Installation Requirements	103
11	Installation	105
11.1	Overview	105
11.2	Accessibility	105
11.3	Installation Requirements Checklist	106
11.4	Installation Procedure	106
11.4.1	Magnet Assembly	106
11.4.2	Magnet Evacuation and Flushing with Nitrogen Gas	107
11.4.3	Cooling the Magnet to Liquid Nitrogen Temperature	107
11.4.4	Cooling the Magnet to Liquid Helium Temperatures	107
11.4.5	Charging the Magnet	107
12	Contact	111

Contents

List of Figures	113
List of Tables	115
Index	117

1 Introduction

This manual contains information about site planning and preparation prior to delivery of a Bruker AVANCE NEO system. The manual should be read through carefully as mistakes made initially may be costly to remedy at a later stage.

The systems covered by this manual are AVANCE NEO spectrometers in the range of 300-800 MHz.

The chapters within this manual deal with various points that need to be considered for successful system operation. They have been included to familiarize you with general principles of successful site planning. For specific questions that may not be addressed in this manual, or for further information on a topic, do not hesitate to contact your local Bruker office. Please also review the Installation Questionnaire at the end of the manual.



Recommendations regarding site planning are based on the experience gained by Bruker BioSpin engineers through the years. Every effort has been made to make the site requirements realistic and readily achievable. It must be stressed however, that the figures quoted are only recommendations. Likewise, any performance values that are used are minimum values that should be readily achievable by every system. Predicting NMR performance is complicated by the fact that every site is unique. This manual has been written to help you plan the site, but it carries no guarantee of ultimate NMR performance.

While every effort has been made to ensure the information contained herein is accurate, Bruker BioSpin accepts no liability for consequential loss or damage arising from its use. Specifications are subject to change without notice and where a value (e.g., ceiling height) lies close to a recommended minimum value you are advised to check with Bruker BioSpin before final delivery.

1.1 Units Used Within This Manual

The SI Unit Tesla (mT) is used throughout this manual whenever magnetic field strengths are discussed. Some readers may however be more familiar with the Gauss (G) Unit.

For comparison the conversion fact is: 1 mT=10 G

Likewise the unit kilowatt is used for the measure of heat energy (e.g. amount of heat generated by a device per hour). Some readers may be more familiar with these measurements in BTU/hour:

For comparison the conversion factor is: 1 BTU/hour=0.000293 kW.

(BTU = British Thermal Unit which is the required heat to raise 1 pound of H₂O by 1 degree Fahrenheit).

Introduction

Wherever possible both the metric and American (North and South) measure units have been used throughout this manual. In most cases the weights and measures have been rounded upwards where necessary. The following table offers the common metric to American conversion factors used in this manual:

Measure	Metric Units	American Standard Units	Conversion Factor (rounded to nearest hundredth)
Linear	meter (m)	feet (ft.)	1 m = 3.28 ft.
	centimeter (cm)	inch (in.)	1 m = 39.37 in. 1 cm = 0.394 in.
Distance	kilometer (km)	mile (mi.)	1 km = 0.62 mi.
Area	square meter (m ²)	square foot (ft ²)	1 m ² = 10.76 ft ²
Volume	cubic meter (m ³)	cubic foot (ft ³)	1 m ³ = 35.32 ft ³
	liter (l)	quart (qt.)	1 l = 1.06 qt. (liquid)
Weight	kilogram (kg)	pounds (lbs.)	1 kg. = 2.21 lbs.
Pressure	bar	pounds/square inch (psi)	1 bar = 14.51 psi
		atmosphere (ATM)	1 bar = 0.99 ATM (standard)
Flow (e.g. gas flow)	cubic meter/minute (m ³ /min.)	cubic feet/minute (ft ³ /min.)	1 m ³ /min. = 35.32 ft ³ /min.
Temperature	°C	°F	$F = C \times 1.8 + 32$
	°F	°C	$C = (F - 32) / 1.8$
	°C	K	$K = C + 273.15$
	K	°C	$C = K - 273.15$
	°F	K	$K = (F + 459.67) / 1.8$
	K	°F	$F = K \times 1.8 - 459.67$
Magnet Field Strength	Tesla (T)	Gauss (G)	1 T = 10 ⁴ G
Heat Energy	BTU/hour	kW	1 BTU/hour = 0.000293 kW
BTU = British Thermal Unit which is the required heat to raise 1 pound of H ₂ O by 1 degree Fahrenheit. SI = International System of Units.			

Table 1.1: Metric to American Conversion Factors

2 Safety

These safety notes must be read and understood by everyone who comes into contact with superconducting magnet systems. Proper training is required for all people having access to such systems. It is essential that clear information signs are placed and maintained to effectively warn people that they are entering a hazardous area.

Please refer to **Bruker's General Safety Considerations for the Installation and Operation of Superconducting Magnets**, available from Bruker.

2.1 The Magnetic Field

Since the magnetic field of the magnet system is three dimensional, consideration must be given to floors above and below the magnet, as well as to the surrounding space on the floor the magnet resides on. The magnetic field exerts attractive forces on equipment and objects in its vicinity. These forces, which increase drastically approaching the magnet, may become strong enough to move large equipment and to cause small objects or equipment to become projectiles.

It is important to consider personnel and equipment in the rooms above, below, and adjacent to the room where the magnet will be located:

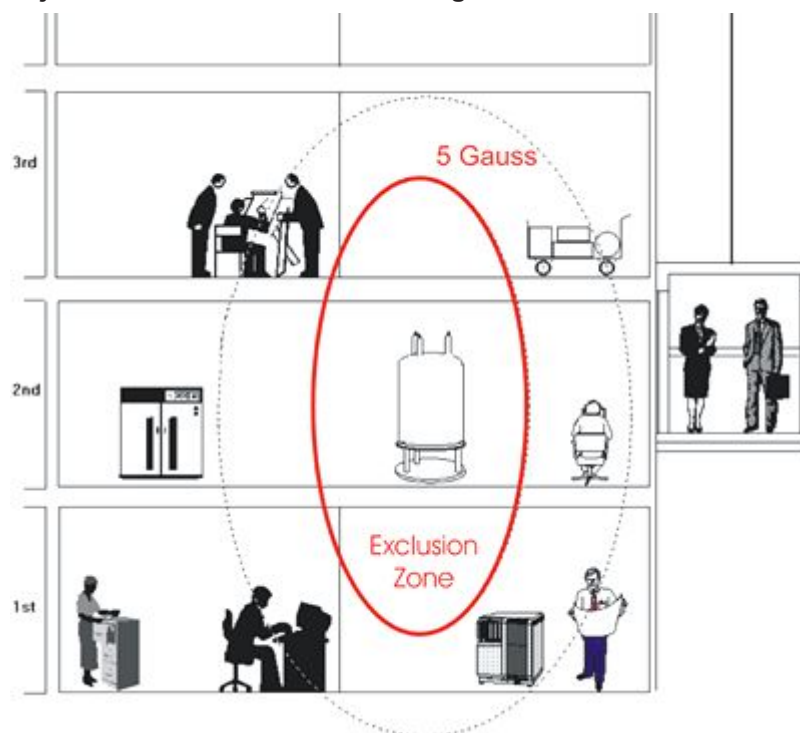


Figure 2.1: Stronger Fringe Fields in Vertical Direction than in Horizontal Direction

The magnetic field may affect the operation of electronic **medical implants** such as pacemakers, if exposed to fields greater than 5 Gauss. Medical implants such as aneurysm clips, surgical clips or prostheses may also be attracted. Further care must be taken around changing fields (e.g. pulsed gradient fields). Eddy currents could be generated in the implant resulting in heat generation and/or unwanted torques.

Ensure that all **loose ferromagnetic objects** are outside the 5 Gauss (0.5 mT) field zone of the magnet before the magnet is ramped to field. Human experience and reaction speed are totally inadequate to cope with the extremely nonlinear forces the magnet exerts on iron objects. Therefore no ferromagnetic objects should be allowed to enter the magnet room after the magnet is energized.

2.1.1 Exclusion Zone

The **Exclusion Zone** is the area inside the magnet's 5 Gauss (0.5 mT) field line, extended in all directions, including rooms above and below the magnet area.

Individuals with cardiac or other **medically active implants** must be prevented from entering this area. The exclusion zone must be enforced with a combination of warning signs and physical barriers.

2.1.2 Security Zone

The **Security Zone** is usually confined to the room that houses the magnet.

Ferromagnetic objects should not be allowed inside the security zone to prevent them from becoming projectiles.

2.1.3 The Safety Lines

The EU directive 2013/35/EU describes these safety lines for magnetic flux density of static magnetic fields in its Annex II “*Non-thermal effects – Exposure Limit Values and Action Levels in the Frequency Range of 0 Hz to 10 MHz*”, in Table B4 as so-called **Action Levels (ALs)**.

Hazards	Action Levels (B_0)
Interference with active implanted devices, e.g. cardiac pacemakers.	0.5 mT
Attraction and projectile risk in the fringe field of high field strength sources (> 100 mT).	3 mT

Table 2.1: Action Levels for Magnetic Flux Density of Static Magnetic Fields

Notes:

- To find out where these safety lines are, please refer to the chapter [Magnetic Fringe Fields](#) [43].
- The > 100 mT value for high field sources refers to the central field of these sources (i.e. magnets) and not to the strength of fringe fields.
- The Action Levels (B_0) values refer to the strength of fringe field and not to the commonly known B_0 central magnetic field of the NMR magnet.

2.1.3.1 The 0.5 mT (5 Gauss) Line

People at particular risk

People with active implanted devices, e.g. cardiac pacemakers where an interference with magnetic fields can lead to serious health consequences, are at particular risk.

The employer and/or system owner (with reference to the EU directive 2013/35/EU – Chapter II *Obligations of Employers*, Art. 4., Sec. 5) is in charge of risk of work safety in the environment and must identify any members that are part of the *group of people at particular risk* before they are allowed to enter the environment. The employer needs to address the following questions.

- Who wears active medical implants, especially cardiac pacemakers?
- Who wears passive medical (metallic) implants, like endo-prosthesis or stents or similar devices?
- Who wears medical devices that are worn on the body, especially insulin pumps?
- Who wears other (metallic) objects in or on their body that might be influenced by EMF, such as piercings, embedded metal splinters, removable dentures, war and/or shot injuries, etc.?
- Is there a person with limited physical resilience?
- Are pregnant workers in the group?

These *people at particular risk* must be officially informed, warned and advised to stay outside of the 5 Gauss line to prevent and avoid any health risks. The approach must be the same for workers (e.g. pregnant workers) as well as for visitors in the environment.

2.1.3.2 The 3.0 mT (30 Gauss) Line

Flying Objects

With field strength sources of $> 100\text{mT}$ there is a high risk of attraction and movement of objects (with ferromagnetic composites), so that these objects might become projectiles and cause new risk sources for any person or equipment (e.g. sensitive instruments) in the environment. In order to prevent this, such objects must always be kept outside the 30 Gauss line.

Safety training must be provided to all staff members who may enter the environment, like cleaning personnel, maintenance or service providers or even employees from other providers. The individuals must be informed accordingly and warned about restrictions when taking specific materials beyond the safety lines, and the risk of doing so.

This information must also be available in case of hazardous situations, when emergency personnel, like firefighters, will enter the environment with their equipment.

2.1.4 Standards on Health and Safety in the Workplace

International Standards and EMF Guidelines

There are several (also new) Guidelines on Limits of Exposure to Static Magnetic Fields introduced globally by the **ICNIRP** (International Commission on Non-Ionizing Radiation Protection) and in Europe by the EU (European Union), which are especially useful for employers and/or system owners. Those EMF guidelines give separate guidance for occupational exposures and exposure of the general public.



Bruker strongly recommends to obtain these relevant documents from the homepages of ICNIRP and the EU and to study them together with the safety information given in this section and in Bruker manuals. See guide information and links below (Rev. Oct. 2017).

- ICNIRP – Info and guidelines to Static Magnetic Fields:
<http://www.icnirp.org/en/frequencies/static-magnetic-fields-0-hz/index.html>
- EU – Non-binding guides to good practice for implementing EMF directive 2013/35/EU
EMF Guide – Volume 1 - Practical guide (Catalog No.: KE-04-15-140-EN-N)
<http://ec.europa.eu/social/main.jsp?catId=738&langId=en&pubId=7845&furtherPubs=yes>
EMF Guide – Volume 2 - Case studies (Catalog No.: KE-04-15-141-EN-N)
<http://ec.europa.eu/social/main.jsp?catId=738&langId=en&pubId=7846&furtherPubs=yes>
See chapter 2. *Nuclear Magnetic Resonance (NMR) Spectrometer*
EMF Guide – Volume 3 - Guide for SMEs (Catalog No.: KE-04-15-142-EN-N)
(for small and medium sized enterprises)
<http://ec.europa.eu/social/main.jsp?catId=738&langId=en&pubId=7850&furtherPubs=yes>
- DE – Germany – Gefährdungen durch elektromagnetische Felder
<https://www.baua.de/DE/Themen/Arbeitsgestaltung-im-Betrieb/Physikalische-Faktoren-und-Arbeitsumgebung/Elektromagnetische-Felder/Regelungen-EMF.html>
- DGUV Vorschrift 15 - Unfallverhütungsvorschrift “Elektromagnetische Felder” (former BGV B11)
<http://publikationen.dguv.de/dguv/pdf/10002/vorschrift15.pdf>

Occupational Exposures – Exposure Limit Values (ELVs)

ELVs below 1 Hz (Table A1 of EMF directive) are limits for static magnetic field which is not affected by the tissue of the body. It is recommended that occupational exposure of the head and the body/trunk should not exceed a spatial peak magnetic flux density of maximum peak values of 2 T. An exception is work applications for which maximum exposures above 2 T are deemed necessary. For these, exposure up to maximum peak values of 8 T can be permitted, if the environment is under controlled working conditions and appropriate work practices are implemented to control movement-included effects.

	Sensory effects ELVs
Normal working conditions	2 T
Localised limbs exposure	8 T
	Health effects ELVs
Controlled working conditions	8 T

Table 2.2: ELVs for External Magnetic Flux Density (B_0) and 0 to 1 Hz

The next table shows the maximum retention periods within different fringe field regions below 5 Tesla for standard precautionary situations. The corresponding spatial regions within and around the super-conducting magnet can be worked out from the fringe-field plots of the magnet being used.

Magnetic Flux	Retention Period	Parts of the Body
5T	< 20 Minutes	Extremities
4T	< 25 Minutes	Extremities
3T	< 34 Minutes	Extremities
2T	< 52 Minutes	Head/Body
1T	< 1 Hour 42 Minutes	Head/Body
0.5T	< 3 Hours 23 Minutes	Head/Body
0.3T	< 5 Hours 39 Minutes	Head/Body
<i>We do not take any responsibility for the numbers given in this table!</i>		

Table 2.3: Example of Maximum Retention Periods

If higher field strength is accessible inside the magnet by a user's extremities, a corresponding table for non-standard situations can be worked out from the table above. However, the analysis must be carried out in a more detailed and differentiated manner and a greater number of more important conditions must be strictly fulfilled.

General Public Exposures – Electromagnetic Fields and Public Health

Based on scientific knowledge on the direct effects of static fields on humans, acute exposure of the general public should not exceed 400 mT (any part of the body). However, because of potential indirect adverse effects, ICNIRP recognizes that practical policies need to be implemented to prevent inadvertent harmful exposure of people with implanted electronic medical devices and implants containing ferromagnetic materials, and injuries due to flying ferromagnetic objects, and these considerations can lead to much lower restriction levels, such as 0.5 mT (IEC 2002). The exposure limits to be set with regards to these non-biological effects are not, however, the duty of ICNIRP (extract from ICNIRP Guidelines published 2009).

With reference to the WHO (World Health Organization – see www.who.int/emf), it is not possible to determine whether there are any long-term health consequences even from exposure in the milli-Tesla (mT) range because, to date, there are no well-conducted epidemiological or long-term animal studies. Thus, the carcinogenicity of static magnetic fields to humans is not at present classifiable (IARC, 2002).

European Community Directive

The European Community did release a **Directive 2004/40/EC** on the minimum health and safety requirements regarding the exposure of workers to the risks arising from physical agents (electromagnetic fields).

This directive, depending on the frequency, specifies the following limits of exposure to electromagnetic fields:

Frequency Range	Magnetic Field Strength H	Magnetic Flux Density B
0...1 Hz	1.63 x 10 ⁵ A/m	0.2 T or 200 mT

This specification and the following more detailed national regulations are an example that fulfills the requirements defined and valid within the EU. Depending on the country where the system is being installed, it is necessary to clarify the country specific or local regulations with respect to exposure and safety in magnetic fields.

Magnetic field strength is a vector quantity (H), which, together with the magnetic flux density, specifies a magnetic field at any point in space. It is expressed in Ampere per meter. (A/m).

Magnetic flux density is a vector quantity (B), resulting in a force that acts on moving charges, expressed in (T). In free space and in biological materials, magnetic flux density and magnetic field strength can be interchanged using the equivalence $1 \text{ A/m} = 4\pi \cdot 10^{-7} \text{ T}$.

German Regulations

In Germany, regulation BGV B15 describes the maximum exposure doses in two basic tables. The first table below applies to situations under the standard precautionary conditions, whereas the second table applies to systems with field strengths above 5 Tesla and can only be applied to certain subgroups of people, which meet nonstandard precautionary conditions. Details on the different precautionary conditions and subgroups of people are given in the document BGV B15 document.

Exposure	Maximum Magnetic Flux Density
Average over 8 hours	212 mT
Peak values for head and body	2T
Peak values for extremities	5T
<i>Standards on health and safety in the workplace for standard precautions and users, according to BGV B15.</i>	

Table 2.4: BGV B15 Standards for Standard Precautions and Users

Exposure	Maximum Magnetic Flux Density
Average over 8 hours	4T
Peak values for head and body	2T
Peak values for extremities	10T
<i>Health and safety standard in the workplace applicable under special conditions to selected subgroups of people, according to BGV B15</i>	

Table 2.5: BGV B15 Standards Under Special Conditions for Selected Subgroups

2.2 Transport and Rigging Safety

The following safety notices pertain to the transport and rigging of AVANCE NEO systems:

- The magnet should always be transported gently in an upright position.
- The magnets are sensitive to shocks and tilting, thus are fitted with shock and tilt watches during transportation.
- Only certified operators of fork lifts, pallet jacks and cranes should handle the transport and rigging.
- Crates should not be left outside, but should be brought inside immediately to protect equipment.
- Storage conditions:
 - Temperature: 5-40 °C



For a relocation of NMR systems please contact your local Bruker Service office for further details and arrangements.

2.3 Ventilation

Typical NMR superconducting magnets use liquid cryogenics as cooling agents. During normal operation of the magnet system it can be expected that a boil-off will occur:

- A normal boil-off of liquids contained in the magnet will occur based on the established boil-off specifications.
- A boil-off of cryogenics will occur during regular refills.

A very large increase in volume accompanies vaporization of the cryogenic liquids into gas. The cryogenic gas to liquid volume ratios are approximately 740:1 for helium; 680:1 for nitrogen. Due to this large increase in volume the vapor may displace the air in an enclosed room. If someone is in the room, this may lead to **asphyxiation**. To prevent this and other dangers, the following minimum general safety rules concerning ventilation apply:

- Cryogenic liquids, even when kept in insulated storage dewars, remain at a constant temperature by their respective boiling points and will gradually evaporate. These **dewars** must always be allowed to vent or dangerous pressure buildup will occur.
- Cryogenic liquids must be handled and stored in well ventilated areas.
- **Exit doors must open to the outside**, to allow safe exit in the event the room becomes pressurized by helium gas during a magnet quench.
- Room layout, ceiling clearance and magnet height must be such that an easy **transfer of liquid** nitrogen and helium is possible. This will considerably reduce the risk of accidents.

2.3.1 Regular Ventilation

Regular HVAC systems should be able to handle 3 - 5 room air exchanges per hour, and provide temperature stability of +/- 1°C per 24 hours for 300-500 MHz systems, and +/- 0.5°C per 24 hours for 600 MHz and above,. Please refer to [HVAC \(Heating Ventilation Air Conditioning\) \[71\]](#) for more details.

2.3.2 Emergency Ventilation

Depending on the actual size of the magnet room, a large amount of He and/or N₂ gas could displace the air in the room. This is possible during the initial cooling of the magnet, during follow-up cryogen fills, or in case of a quench. Therefore, an emergency exhaust system may be required to avoid asphyxiation. Please refer to the section [Emergency Ventilation During Installation and Quenches \[73\]](#), for more details.

Pits

As discussed in [HVAC \(Heating Ventilation Air Conditioning\) \[71\]](#), continuous air flow (exhaust) is required within the confines of a magnet pit. A low exhaust down in the pit is recommended. Additional emergency ventilation may also be necessary. Since nitrogen gas cannot be detected by the human senses, an oxygen sensor mounted in the pit will trigger an increased rate of exhaust.

2.3.3 Oxygen Level Sensors

Oxygen (O₂) monitors, or level sensors, are required in the magnet room to detect low levels of O₂ due to cryogenic gases. At a minimum the following sensors must be provided:

- One oxygen level sensor must be above the magnet, to detect low oxygen levels caused by high helium gas levels.
- One oxygen level sensor approx. 10 cm off the floor of the magnet room.
- One additional oxygen level sensor approx. 10 cm off the bottom of the pit, in case the magnet is located inside a pit.

These monitors and sensors generally must be located outside the 0.5 mT (5 G) line. Check with original equipment manufacturer for information on the effects of magnet fields on these devices.

Please refer to [Emergency Ventilation During Installation and Quenches \[▶ 73\]](#) for more information on ventilation and exhaust solutions.

2.4 Safe Handling of Cryogenic Substances

Superconducting NMR magnets use liquid helium (all magnets) and nitrogen (only non-Aeon magnets) as cooling agents, keeping the magnet core at a very low temperature. The safe handling of cryogenic liquids requires some knowledge of the physical properties of these liquids, common sense, and sufficient understanding to predict the reactions of such liquids under certain physical conditions.

Cryogenic liquids, even when kept in insulated storage vessels (dewars), remain at a constant temperature by their respective boiling temperature. As a result, a fraction of the liquid constantly evaporates into the gas phase, leading to a pressure build-up inside the storage dewar. A very important characteristic of cryogenics is their enormous increase in volume during the conversion from liquid to gaseous phase. This conversion follows a raise in gas temperature starting at the boiling temperatures of the cryogenic liquids and going up towards room temperature.

The gases are nontoxic and completely harmless as long as adequate ventilation is provided to avoid suffocation. During normal operation only a small hourly rate of cryogen is evaporated, but during a quench, an extremely large quantity of helium gas is produced within a short time.

Cryogenic liquids must be handled and stored in **well ventilated areas**. Containers for cryogenic liquids must be constructed with non-magnetic materials and should be specifically designed for use with particular cryogenics. Be sure to read and follow any specific instructions provided by the container manufacturer concerning their individual products.

2.4.1 What is a Quench

A magnet **quench** is the breakdown of superconductivity in a partially or fully energized magnet. The stored field energy is transformed into heat, leading to a fast evaporation of liquid helium. During a quench, an extremely large quantity of helium gas is produced within a short time.

Although helium gas is inert, if generated in large enough quantities, it can displace the oxygen in the room causing potential danger of suffocation (refer to [Emergency Ventilation During Installation and Quenches \[▶ 73\]](#)).

2.4.2 Liquid Nitrogen Refills

Keep contact with air at a minimum. When liquid nitrogen is exposed to air, it can condense and become as hazardous as liquid oxygen. The **pressure relief valve** for the nitrogen vessel should be mounted at all times, even when the vessel is being refilled. Special attention is required for the **transportation of cryogens by elevator**, no one should be allowed to be in the elevator with a cryogen dewar.

When the vessel is being refilled, liquid nitrogen should not be allowed to spill onto the room temperature bore closure flanges. Place gum rubber or Teflon tubes on the nitrogen neck tubes during refill. The transfer should be stopped immediately when the vessel is full. Failure to observe this can lead to the freezing of the O-rings and a subsequent vacuum loss of the magnet cryostat.

The liquid cryogen transport dewars used to refill the magnet must be of the low pressure type. **Never use high pressure gas-packs.** The dewar must have a fixture for pressurizing and transferring via a stainless steel or corrugated plastic tube (10 mm inner diameter). Where possible the dewar should be self pressuring. The typical transport dewar pressure for transferring liquid nitrogen is 0.10 - 0.20 bar (1-3 psi), the maximum 0.35 bar (5 psi).

The refill procedure is described in detail in the magnet manual. For further information on liquid nitrogen requirements, refer to the chapter [Liquid Nitrogen Requirements \[▶ 70\]](#).

2.4.3 Liquid Helium Refills

Liquid helium is the coldest of all cryogenic liquids, therefore it will condense and solidify any other gas (air) coming in contact with it. The consequent danger is that pipes and vents may become blocked with frozen gas. Vacuum insulated pipes should be used for transferring liquid helium.

Liquid helium must be kept in specially designed storage or transport dewars. A one-way valve is supplied to avoid air or moisture from entering the helium vessel. This is to prevent ice from building and plugging the neck tubes. The 0.2 bar valve must be mounted at all times even during a helium transfer.

Often, permanently installed helium gas lines are used to pressurize the liquid helium transport dewars during the helium refills. Alternatively, helium gas cylinders can be used. The helium gas cylinder should never be brought close to the magnet and should always be kept well outside the 5 Gauss line. The gas cylinder should be secured to a wall or structural column well outside the 5 Gauss line to prevent a dangerous accident. A He gas purity of 4.6 (99.996%) is recommended.

The refill procedure is described in detail in the magnet manual.

CAUTION

Danger of cold burns or freezing during the transfer of liquid helium.

During the transfer of liquid helium it is possible that cold burns or freezing may occur.

- ▶ The transfer of liquid helium can be done easily and safely, provided the helium transfer line is in good condition, is handled correctly, and the transfer pressure does not exceed 3.5 psi (0.24 bar).
- ▶ Never connect a warm helium transfer line to the magnet as the warm helium gas could disturb the magnet temperature.
- ▶ Always allow the helium transfer line to cool down to helium temperature before connecting it to the short end inserted into the helium fill port.
- ▶ Adequate protection and clothing is required at all times when handling, transferring, or operating near cryogenic fluids.



NOTICE

Material damage hazard to iPhone phones from helium gas

If you have an iPhone 7 or newer model, you'll need to take special care in environments where elevated levels of helium in the air can occur, e.g. when cooling magnet and/or during magnet quenches.

- ▶ Follow the user instructions provided for the iPhone by Apple.
- ▶ Keep your iPhone out of range of the magnet system, liquid helium transport dewars or gas cylinders.

2.5 Earthquake Safety

In regions where there is a potential risk of earthquakes, additional precautions should be taken to reduce the chance of personal injury or property damage through movement or tipping of the magnet.

Many countries or regions have documented regulations, including building codes, regarding earthquakes. Before installing a magnet system, it is highly advisable that you check with local authorities on whether your area is prone to earthquakes and if there are any regulations in effect.

If the installation site is regarded as an earthquake area, please contact Bruker for information on earthquake securing equipment.

2.6 Safety from Nearby Construction

In a magnet system hazards come basically from two sources:

- Mechanical breakdown of the mounting suspension in the magnet system.
- Quench as a result of mechanical movement of the superconductor and as a result the magnet reaching a critical temperature.

No permanent damage results from the mechanical movement of the superconductor, however when the suspension is damaged, it must be repaired.

These amplitudes are mainly in the vertical direction. For permanent faults we give a maximum peak value of 0.01 g (0.0981 m/s²) for systems with activated ADI or API dampers. Undamped systems can be operated up to a maximum of 1 mg or 9.81 mm/s². NMR measurements are not possible in these vibration entries.

For short term accelerations, which can occur during earthquakes, we have experienced that the NMR magnet systems survive a strength of 6.0 or accelerations up to 0.2 g > 90%.

2.7 Country-Specific Safety Regulations

In addition to the above safety precautions, any country-specific safety regulations for operating NMR systems must be fulfilled. These may include, for example, regulations on:

- Facilities of a controlled access area around the magnet.
- Working conditions at computer stations.
- Use of anesthesia gases.
- Handling of laboratory and transgenic animals.

2.8 Emergency Planning

Due to the strong magnetic fields and presence of cryogenics when using NMR systems, it is important to define and communicate what to do in case of problems or an emergency. An **Emergency Plan** can be defined as a documented set of instructions on what to do if something goes wrong. Emergency Plans are often defined as part of the Standard Operating Procedures (SOP), or as a stand-alone document. In any case every NMR laboratory should have an Emergency Plan in effect.

As every organization has its own policies and procedures, as well as varying laboratory layouts, an Emergency Plan should be individually defined by the customer for their laboratory as appropriate. The Emergency Plan is the responsibility of the customer and of the building and facility management.

2.8.1 Fire Department Notification

It is recommended that the magnet operator introduce the fire department and/or local authorities to the magnet site. It is important that these organizations be informed of the potential risks of the magnet system, e.g. that much of the magnetic rescue equipment (oxygen-cylinders, fire extinguishers, axes etc.) can be hazardous close to the magnet system. In addition, their expertise and experience can be invaluable in creating an Emergency plan.

- In a NMR laboratory use only non-magnetic fire extinguishers.
- Breathing equipment which uses oxygen tanks made out of magnetic material can be life threatening when used close to a magnet system which is energized.
- During a quench helium gas escaping from the system must not be mistaken for smoke. Instruct the fire department and technical service not to “extinguish” the magnet system with water. The outlet valves could freeze and prevent the quench valves from closing.
- Laboratory windows which are accessible during an emergency must be clearly marked with warning signs, visible from the outside.

3 System Components

This section describes the types and functions of the various sub-systems that are delivered as part of our AVANCE NEO NMR systems. These include the following:

- [Superconducting Magnet Components \[21\]](#).
- [Console and Other System Components \[22\]](#).
- [CryoProbe System \(Optional\) \[23\]](#).
- [Other Optional Components \[25\]](#).

3.1 Superconducting Magnet Components

The superconducting magnet is a complex system producing a very strong, homogeneous, and stable magnetic field as required for NMR. This section describes the various sub-systems of the magnet system.

- Magnet:** The magnet system's main component is a superconducting coil housed in a cryostat. The cryostat consists of an outer vacuum enclosure, a liquid nitrogen vessel, some radiation shields and a liquid helium vessel. The magnet uses both liquid nitrogen and liquid helium. The magnet coil is immersed in liquid helium inside a dedicated helium vessel. Liquid nitrogen fills a different vessel and reduces the helium evaporation rate. After the initial charging with electrical current, the magnet runs in persistent mode. The current runs in a closed loop inside the system and the magnet itself is no longer connected to a continuous power supply.
- Maintenance:** Magnet maintenance consists of refilling the system with cryogenic fluids at defined time intervals.

3.2 Console and Other System Components

The next table lists the various parts of the console, monitoring & control units. Please also refer to the floor plan diagrams beginning in the chapter [Floor Plan \[79\]](#). These scaled diagrams provide an idea of where the various pieces of NMR equipment should be placed.

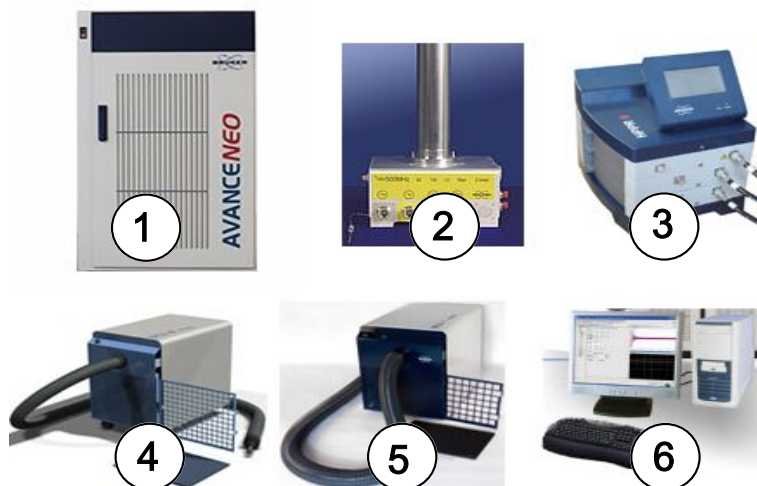


Figure 3.1: Spectrometer and Magnet Control

1.	The AVANCE NEO console main cabinet, where the actual NMR data acquisition is performed.
2.	The probe , which is designed to hold the sample, transmit radio frequency signals which excite the sample and receive the emitted response. The probe is inserted into the bottom of the magnet and sits inside the room temperature shims. Coaxial cables carry the excitation signals from the console amplifiers to the probe and the NMR signal back from the sample to the receiver.
3.	The HPPR/2 amplifies, filters and routes the NMR response signals from the probe to the RX22 receiver. It switches the RF transmitter output to the probe.
4.	The BCU-II Unit delivers very cold gas, either nitrogen or dry air, through a flexible isolated non-magnetic transfer line. It is possible to control the sample temperature down to -60°C inside the probe for solid or liquid NMR applications.
5.	The BCU-I Unit cools VT gas to allow proper sample temperature regulation. The unit reduces the temperature of the air input (supplied by the variable-temperature unit) and provides cooling of the NMR sample within the magnet to at least -5 °C for a room temperature of 25 °C.
6.	The workstation acts as the operational computer for the user processing NMR data and sending/receiving data to/from the acquisition computer in the main console.

3.3 CryoProbe System (Optional)

The Bruker CryoProbe™ Accessory for the AVANCE NEO NMR spectrometers offers dramatic increases in signal to noise ratio, stability, and ease of use. For site planning details for the CryoProbe accessory, refer to [CryoProbe and Other Accessories \[91\]](#).

The CryoProbe system consists of the following components:



Figure 3.2: CryoProbe System

1.	The CryoProbe represents the NMR probe inside the magnet bore, and is cooled by cryogenic helium gas. The CryoProbe maximizes efficiency and reduces thermal noise, thus enhancing the signal-to-noise ratio.
2.	The CryoCooling unit contains a cryocooler, a cryocontroller, a vacuum system, and He transfer lines. The unit cools compressed helium gas by expansion and provides and maintains the vacuum insulation. The unit also supervises all CryoProbe operations.
3.	The research grade Helium gas cylinder provides research grade helium gas (99.9999%) at high pressure (min. 200 bar) for flushing the probe prior to a cool-down cycle. The cylinder includes a regulator, an outlet valve, and a charging hose.
4.	A transfer line supports provide support for the probe and isolates the probe against vibrations.
5.	The He compressor provides compressed helium gas to the CryoCooling unit. The compressor connects to the CryoCooling unit by means of helium gas pressure lines. The indoor water-cooled helium compressor is shown to the right. Other models, including indoor air-cooled and outdoor air-cooled, are available.

3.4 CryoProbe Prodigy System (Optional)

The CryoProbe Prodigy is an NMR probe with 5 mm sample diameter. The integrated NMR coil assembly and cryo-preamplifier are cooled with evaporating liquid nitrogen (LN₂). These results in a substantial sensitivity enhancement over room temperature (RT) probes. The Prodigy package is comprised of the probe, a control unit (PCU) and a liquid nitrogen vessel, thus siting is easy and no additional infrastructure is required.

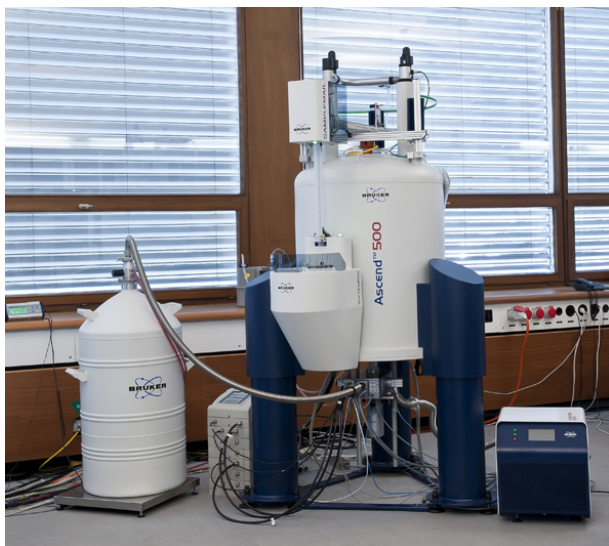


Figure 3.3: CryoProbe Prodigy with Pump & Control Unit and LM2 Tank

3.5 Other Optional Components

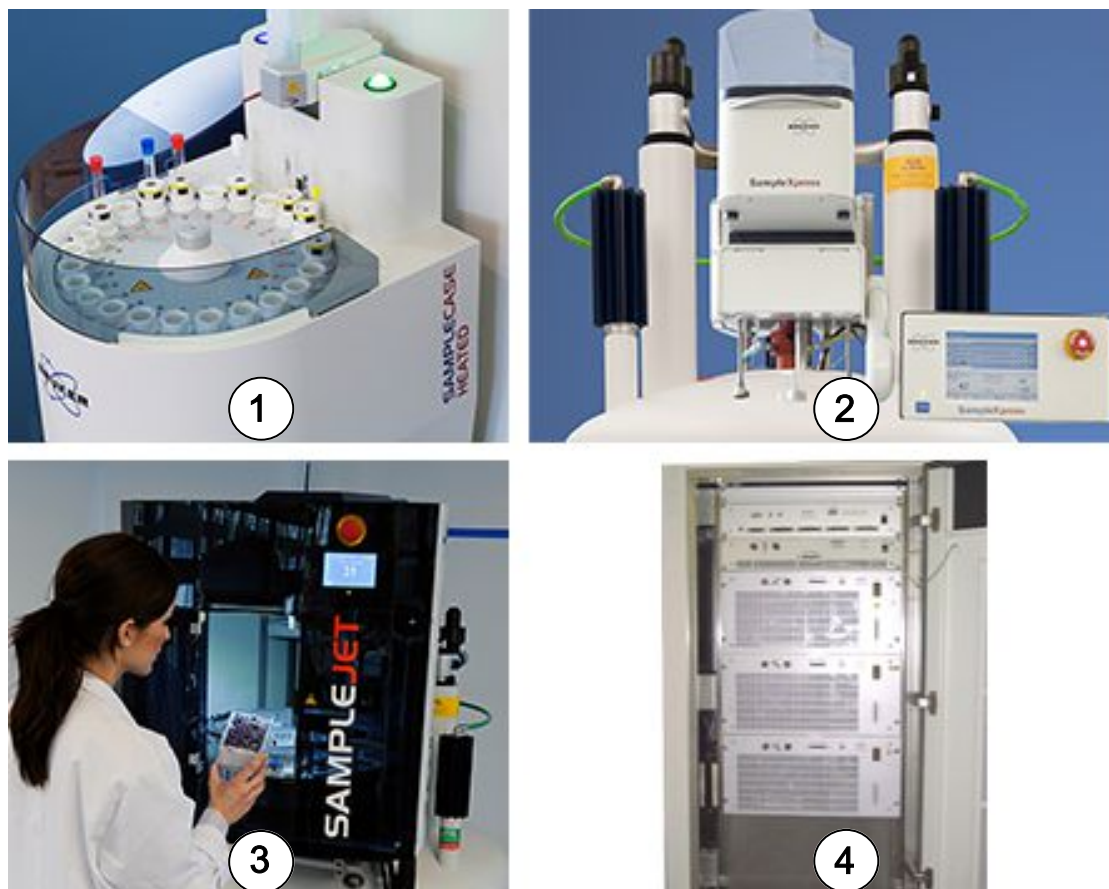


Figure 3.4: Other Options for AVANCE NEO Systems

1	SampleCase is a 24 sample, random-access, automation system that fits almost all shielded Bruker standard bore magnets.
2	SampleXpress allows automatic measurement of NMR samples with Bruker NMR spectrometers. SampleXpress is controlled by TopSpin or IconNMR, and is equipped with integrated barcode reader registration, which is under control of SampleTrack.
3	SampleJet is a robot which has been consciously designed to meet growing demand for simplicity, versatility and higher throughput in NMR sample tube automation.
4	The imaging accessory cabinet houses the gradient amplifiers for micro-imaging applications.
5	An optional UPS (not shown) is highly recommended and may vary based on the system configuration.

4 Magnet Access and Rigging

The magnet is very heavy and fragile, thus requires special consideration during delivery and movement to its final installation point. The other components of the spectrometer system (console, options, etc.) can typically be removed from the trucks with forklifts and are positioned in the NMR lab with a pallet jack. Specifications for these components are also included in this chapter for planning purposes.

4.1 Considerations for Off-loading on Site

When planning for offloading the magnet and console during delivery, the following factors must be considered:

Delivery Area

There must be sufficient space in the driveway or parking area for the overhead crane (or forklift) and for the delivery truck. There must also be sufficient leveled area for uncrating the magnet and other crates.

Transport Weight

The transport weight and size of the magnet system, console and their respective crates will affect the choice of equipment required for offloading and movement of the magnet.

Loading Dock

The **size and overhead clearance** of the loading dock will influence the choice of forklift, crane, or other rigging equipment required to off load the magnet and system crates.

The **elevation** of the loading dock relative to the laboratory will determine if a crane is required, or if an elevator is needed for the transportation of the magnet from the loading dock to the laboratory.

The **load bearing capacity** of the loading dock must be sufficient for the system. Refer to the transport weights of the magnet system, console, and accessories listed in the chapter.

If height/width restrictions require the magnet to be removed from the pallet (e.g. to pass through a doorway), rigging equipment will be needed both on the loading dock and inside the lab.

Equipment Requirements

All rigging equipment required to off-load the magnet system must be selected to handle the size and transport weights of the system.

Generally a **pallet** is integrated in the magnet crate. The top and sides of the crate are removed or lifted off the magnet, leaving the pallet under the magnet for transportation into the lab.

Crane: For larger magnet systems, a crane meeting the load requirements for the specific magnet may be required to lift the magnet off the truck, place it on a flat surface for uncrating, and for lifting the magnet again for placement on air skates or a pallet.

Forklift: It may be feasible to use a forklift to pick the magnet from the truck and lower it to a flat surface for uncrating.

Pallet Jack: If a loading dock is available, it may be possible to roll the magnet off the truck using a pallet jack.

4.2 Considerations for Transport to the NMR laboratory

Before delivery the customer must ensure that the system and magnet can be transported to the site. The section on [Transport Dimensions and Weights \[29\]](#) in this chapter provides the sizes and weights of the crates in which the system are shipped. The following must be considered:

- The access clearance (height and width) and **floor loading capacity** must be checked along the entire route that the magnet will take from the access point into the building to the laboratory. Please refer to the Transport Dimensions and Transport Weights tables.
- Transport will also be affected by any floor irregularities and the presence of door jams and steps. Use Masonite **leveling sheets** to traverse floor irregularities such as cracks and door seals.
- **Elevator** capacity and dimensions must also be considered if the magnet must make an elevation change within the building.
- The **turning radius** can also be a factor if, for example, corners must be navigated. It is important to make sure the rigging equipment for magnet assembly (e.g. a long I-beam for the gantry) can be brought into the lab.
- The console and magnet must be moved in an **upright position**.

Refer to the section [Rigging Equipment \[35\]](#) for more information.

4.3 Transport Dimensions and Weights

4.3.1 Magnet Transport Dimensions

Door Dimensions for Magnet Access

Magnet Type (MHz/mm)	Crate Size (m)			Magnet Transport Dimensions (m) (for transport to the magnet room)		
	L	W	H	Width Uncrated	Height Uncrated w/ o Pallet Jack*	Height Uncrated with Pallet Jack**
300/54 Ascend ULH	1.14	0.93	1.99	0.80	1.39	1.50
400/54 Ascend	1.14	0.93	1.99	0.80	1.39	1.50
400/54 Ascend ULH	1.14	0.93	1.99	0.80	1.59	1.70
500/54 Ascend	1.14	0.93	1.99	0.80	1.39	1.50
500/54 Ascend ULH	1.15	1.36	2.06	0.95	1.74	1.85
600/54 Ascend	1.14	0.93	1.99	0.80	1.60	1.71
600/54 Ascend ULH	1.51	1.29	2.18	1.10	1.86	1.97
700/54 Ascend	1.14	1.36	2.06	0.95	1.74	1.85
800/54 Ascend	1.51	1.29	2.18	1.10	1.86	1.97
ULH = Ultra Long Hold * Measured from magnet bottom plate to helium tower - this is the absolute minimum height! ** The heights listed with pallet jack assume that the floor is level, thus the magnet needs only to be jacked up approx. 2 cm for transport. If the floor is uneven, the magnet may need to be jacked up with a pallet jack, which could add as much as 9 cm to the transport height.						

Table 4.1: Door Dimensions: Standard Bore 54 mm

Magnet Access and Rigging

Magnet Type (MHz/mm)	Crate Size (m)			Magnet Transport Dimensions (m) (for transport to the magnet room)		
	L	W	H	Width Uncrated	Height Uncrated w/ o Pallet Jack*	Height Uncrated with Pallet Jack**
300/89 Ascend	1.14	0.93	1.99	0.80	1.60	1.71
400/89 Ascend	1.14	0.93	1.99	0.80	1.60	1.71
500/89 Ascend	1.14	0.93	1.99	0.80	1.60	1.71
600/89 Ascend	1.14	1.36	2.06	0.95	1.74	1.85
700/89 Ascend	1.51	1.29	2.18	1.10	1.88	1.99
<p>* Measured from magnet bottom plate to helium tower - this is the absolute minimum height!</p> <p>** The heights listed with pallet jack assume that the floor is level, thus the magnet needs only to be jacked up approx. 2 cm for transport. If the floor is uneven, the magnet may need to be jacked up with a pallet jack, which could add as much as 9 cm to the transport height.</p>						

Table 4.2: Door Dimensions: Wide Bore 89 mm

Magnet Type (MHz/mm)	Crate Size (m)			Magnet Transport Dimensions (m) (for transport to the magnet room)		
	L	W	H	Width Uncrated	Height Uncrated w/ o Pallet Jack*	Height Uncrated with Pallet Jack**
200/154 Ascend	1.14	0.93	1.99	0.88	1.60	1.71
300/154 Ascend	1.14	0.93	1.99	0.88	1.60	1.71
<p>* Measured from magnet bottom plate to helium tower - this is the absolute minimum height!</p> <p>** The heights listed with pallet jack assume that the floor is level, thus the magnet needs only to be jacked up approx. 2 cm for transport. If the floor is uneven, the magnet may need to be jacked up with a pallet jack, which could add as much as 9 cm to the transport height.</p>						

Table 4.3: Door Dimensions: Super Wide Bore 154 mm

4.3.2 Magnet Stand Transport Dimensions

Door Dimensions for Magnet Stand & Accessories Access

Magnet Stand	Accessories Crate Size - including stand if applicable (m)		
	L	W	H
300/54 Ascend ULH F80 570	0.97	0.75	1.20
300/54 Ascend ULH F80 700	0.97	0.75	1.20
400/54 Ascend F80 570	0.97	0.75	1.20
400/54 Ascend F80 700	0.97	0.75	1.20
400/54 Ascend ULH F80 570	0.97	0.75	1.20
400/54 Ascend ULH F80 700	0.97	0.75	1.20
500/54 Ascend F80 570	0.97	0.75	1.20
500/54 Ascend F80 700	0.97	0.75	1.20
500/54 Ascend ULH F95-700	1.32	0.74	1.30
600/54 Ascend F80 700	0.97	0.75	1.20
600/54 Ascend F80 770	0.97	0.75	1.20
600/54 Ascend ULH F110 800	1.32	0.77	1.32
600/54 Ascend ULH F110 950	1.32	0.77	1.32
700/54 Ascend F95 700	1.32	0.74	1.31
700/54 Ascend F95 880	1.32	0.74	1.31
800/54 Ascend F110 800	1.32	0.77	1.31
800/54 Ascend F110 950	1.32	0.77	1.31
ULH = Ultra Long Hold. Pallet is integrated in crate. Add 2-10 cm for pallet jack depending on floor quality. Allow at least 1 cm clearance on the sides and above the crate.			

Table 4.4: Door Dimensions for Magnet Stand: Standard Bore 54 mm

Magnet Stand	Accessories Crate Size - including stand if applicable (m)		
	L	W	H
300/89 Ascend F80 770	0.97	0.75	1.20
400/89 Ascend F80 770	0.97	0.75	1.20
500/89 Ascend F80 950	0.97	0.75	1.49
600/89 Ascend F95 950	1.32	0.74	1.31
700/89 Ascend F110 950	1.32	0.77	1.31
Pallet is integrated in crate. Add 2-10 cm for pallet jack depending on floor quality. Allow at least 1 cm clearance on the sides and above the crate.			

Table 4.5: Door Dimensions for Magnet Stand: Wide Bore 89 mm

Magnet Stand	Accessories Crate Size - including stand if applicable (m)		
	L	W	H
200/154 Ascend F85 1050	0.79	0.75	1.49
300/154 Ascend F85 1050	0.79	0.75	1.49
Pallet is integrated in crate. Add 2-10 cm for pallet jack depending on floor quality. Allow at least 1 cm clearance on the sides and above the crate.			

Table 4.6: Door Dimensions for Magnet Stand: Super Wide Bore 154 mm

4.3.3 Magnet Transport Weights

Magnet Transport Weights

Magnet Type	Magnet Weight with Crate (kg)	Magnet Weight w/o Crate & Stand (kg)
300/54 Ascend ULH	~415	304
400/54 Ascend	~469	358
400/54 Ascend ULH	~510	378
500/54 Ascend	~560	449
500/54 Ascend ULH	~822	617
600/54 Ascend	~741	609
600/54 Ascend ULH	~1259	963
700/54 Ascend	~1203	998
800/54 Ascend	~2075	1777
The weights of the accessories are approximations. The actual weight may vary depending on the options and accessories that are ordered.		

Table 4.7: Magnet Transport Weights: Standard Bore 54 mm

Magnet Type	Magnet Weight with Crate (kg)	Magnet Weight w/o Crate & Stand (kg)
300/89 Ascend	~503	370
400/89 Ascend	~662	529
500/89 Ascend	~743	610
600/89 Ascend	~1210	1005
700/89 Ascend	~2046	1750
The weights of the accessories are approximations. The actual weight may vary depending on the options and accessories that are ordered.		

Table 4.8: Magnet Transport Weights: Wide Bore 89 mm

Magnet Type	Magnet Weight with Crate (kg)	Magnet Weight w/o Crate & Stand (kg)
200/154 Ascend	~685	550
300/154 Ascend	~685	550
The weights of the accessories are approximations. The actual weight may vary depending on the options and accessories that are ordered.		

Table 4.9: Magnet Transport Weights: Super Wide Bore 154 mm

4.3.4 Spectrometer and Accessories Transport Dimensions and Weights

Spectrometer System (spectrometer crate)	Crate Size (m)			Weight (kg)	Dimension (m) for Transport to Magnet Room		
	L	W	H		Width Crated*	Width Uncrated*	Height Uncrated**
AVANCE NEO OneBay	0.84	0.94	1.56	231	0.86	0.71	1.47
AVANCE NEO OneBay with Heightening	0.84	0.94	1.83	284	0.86	0.71	1.72
AVANCE NEO TwoBay	1.52	0.98	1.59	394	1.54	1.33	1.47
<p>Note: The pallet is now integrated into the crate. Weights include pallets and packing material as required. Weights are for a standard AVANCE NEO configuration, actual weights may increase depending on options selected.</p> <p>* Transport width = width indicated + minimum 1 cm clearance on each side. These are the widths if the console is inserted lengthways through the entrance.</p> <p>** Height on pallet, cables on top.</p>							

Table 4.10: Door Dimensions for Magnet Room Access: Spectrometers

Magnet Access and Rigging

Accessory	Crate Size (m)			Weight
	L	W	H	(kg)
LC-NMR Unit, LC-NMR Control Unit (host computer), plus any additional options/ accessories	n/a*	n/a*	n/a*	50-250
Imaging Cabinet	n/a*	n/a*	n/a*	150
SampleXpress	0.96	0.96	0.52	48
SampleXpress Lite	0.57	0.69	0.42	22
SampleJet	1.20	0.80	1.20	100
SampleJet Cooling Option – Carousel Box	0.56	0.56	0.33	~10
SampleCase box 1/box2	1.89/0.75	0.52/0.75	0.27/0.65	15/15
BCU-I	0.48	0.36	0.43	50
BCU-II	0.58	0.42	0.57	74
CryoProbe (shipped in a CryoCase on a pallet)	1.20	0.80	0.68	60
CryoCooling Unit	1.66	0.95	0.68	400
CryoProbe System He Compressor Indoor Water-cooled	0.94	0.84	1.18	120
CryoProbe System He Compressor Indoor Air-cooled (packed in three cartons on one pallet)	0.69	0.69	1.12	140
CryoProbe System He Compressor Outdoor Air-cooled (packed in three cartons on one pallet)	0.55	0.55	0.90	140
CryoProbe Prodigy Unit	0.75	0.48	0.69	68
The accessories are typically transported to the magnet on a pallet jack. Weights include pallets and packing material as required.				
* Not available at time of publication.				

Table 4.11: Crate Dimensions and Weights for Accessories

4.4 Rigging Equipment

Rigging equipment is not included with the NMR system order. The following rigging equipment will be needed for a typical delivery and installation of an NMR magnet system:

- **Pallet Jack and/or Fork Lift:** For transporting system magnet and accessories to the laboratory.
- **A-Frame or Lifting Hook:** An A-Frame or lifting hook may be used inside the laboratory during assembly phase. When a lifting hook is used, the hook capacity must be certified to hold the required weight of the magnet **before** installation!



Figure 4.1: A-Frame Gantry for Lifting the Magnet Inside the Magnet Room

5 Ceiling Height Requirements

The assembly of the magnet system, the magnet energization, and refills with liquid helium require minimum height clearances.

- The ceiling height requirements for the magnet installation and cryogen refills do not need to be met over the entire laboratory. The height requirements need only be met immediately above the magnet, over an area to allow for assembly of the lifting system (if applicable), and over an area to allow for insertion of the helium transfer line.
- If a soffit is to be used, it is important to consider the area of raised ceiling needed to set-up the lifting system being used to lift the magnet during the assembly phase of the installation. If a transverse I-beam is used in conjunction with the lifting system, this must fit within the confines of the soffit.
- In lieu of a lifting system, a fixed lifting hook capable of supporting the magnet at a sufficient height can be used to assemble the magnet. However, this option is usually not ideal. See notes below.

WARNING

Fixed Hook



Danger to personnel and equipment due to falling lifting system when using a fixed hook. Removing the heavy hoist directly over the magnet can be very difficult and dangerous for both personnel and the magnet.

- ▶ It is important to consider how the hoist system and harness will be removed from a fixed lifting hook after the magnet is installed.
- ▶ Ensure that the hook is certified to hold the weight of the equipment before use.

5.1 Helium Transfer Line

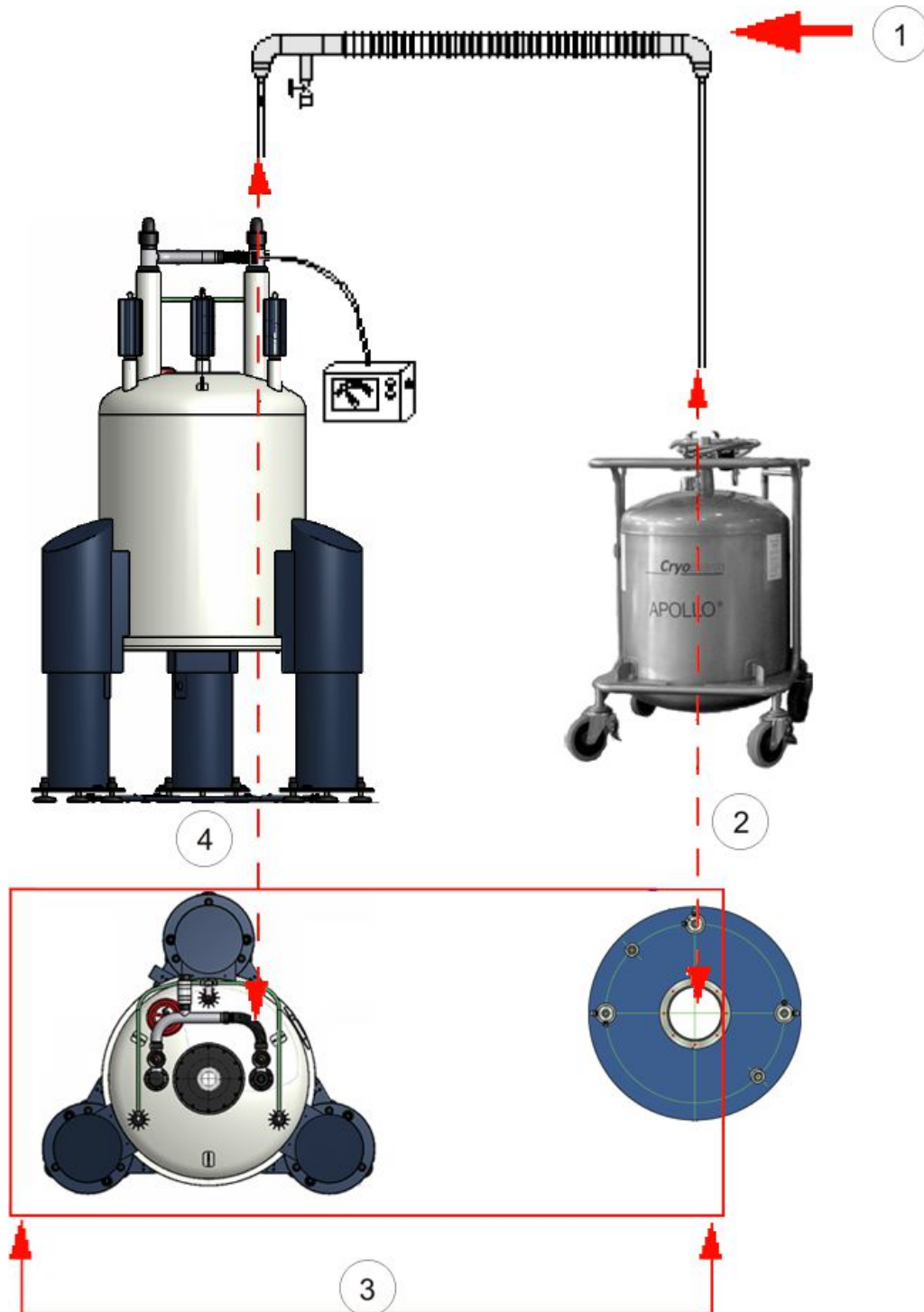


Figure 5.1: Ceiling Height Requirements

1.	Ceiling height must allow for insertion of helium transfer lines.
2.	Liquid helium dewar.
3.	Ceiling height requirements must be met over this area.
4.	Magnet.

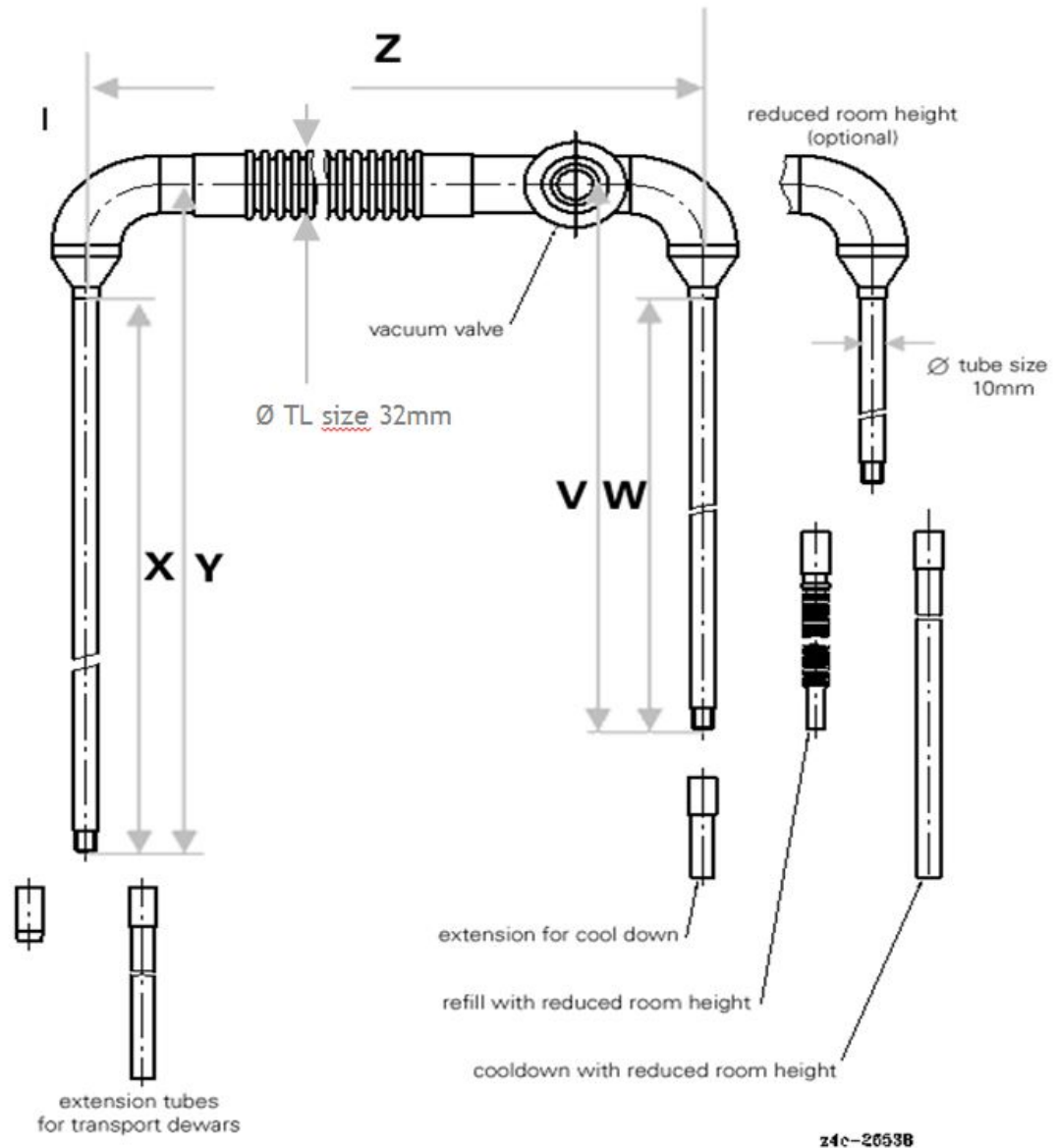


Figure 5.2: Helium Transfer Lines

Refer to the figure above for the following helium transfer line dimensions.

Magnets	Part Nr.	X (mm)	Y (mm)	Z (mm)	V (mm)	W (mm)	Remarks
Ascend	53962	1455	1508	2060	708	655	D3XX
	29085	1455	1508	2060	433	380	Reduced Height
	29515	1455	1508	1250	503	450	Reduced Height

Note: When using soffits, sufficient space must be left for the required transfer line length. The magnet may need to be placed off-center within the soffit (as opposed to being centered).

Table 5.1: Helium Transfer Line Dimensions

5.2 Minimum Ceiling Height

The minimum ceiling height requirements for operation of each magnet are listed in the following table. Note that the values represent the absolute minimum, an extra 0.3-0.4 m above minimum requirements will make all procedures safer and more convenient.



Note: The minimum ceiling height requirements for INSTALLATION may be greater than the values in the table below, depending on the options selected.



Note: When calculating the minimum ceiling height, the height of the transport dewar plus the long arm of the transfer line must be considered. Refer to the transport dewar supplier for height specifications.

The following text explains how the ceiling height requirements in the ceiling height requirements table were either calculated and/or their meaning. Note that the values were calculated for the smallest available magnet stand.

Minimum Operational Ceiling Height – Helium Transfer Line 29085: The minimum operational ceiling height using the helium transfer line 29085 is calculated by the height of the helium port and the length of the short arm of the helium transfer line.

Minimum Ceiling Height with Helium Transfer Line 53962: The ceiling height using the standard helium transfer line 53962 is calculated by the height of the helium port and the length of the short arm of the helium transfer line.

Minimum Ceiling Height for BST and Adapter WB -> SB: For the installation the length of the BST is an important factor for the ceiling height. For special small ceiling heights, Bruker has a Bruker Sample Transport (BST) as a 2-piece system available. For all wide bore systems, the minimum ceiling height is calculated to the top of the upper part reduction adapter WB -> SB.

Ceiling Height Requirements

The number in the following tables corresponds to a standard magnet configuration using a minimum height stand. The ceiling height can increase up to 250 mm based on the model of the magnet and stand.

Magnet Type	Special LHE Transfer Line for Reduced Ceiling Height (m)	Standard LHE Transfer Line (m)
300/54 Ascend ULH	2.52	2.81
400/54 Ascend	2.52	2.81
400/54 Ascend ULH	2.72	3.01
500/54 Ascend	2.52	2.80
500/54 Ascend ULH	3.00	3.28
600/54 Ascend	2.85	3.14
600/54 Ascend ULH	3.23	3.50
700/54 Ascend	3.00	3.28
800/54 Ascend	3.25	3.53
ULH = Ultra Long Hold.		

Table 5.2: Minimum Ceiling Height Requirements: Standard Bore 54 mm

Magnet Type	Special LHE Transfer Line for Reduced Ceiling Height (m)	Standard LHE Transfer Line (m)
300/89 Ascend	2.86	3.16
400/89 Ascend	2.91	3.20
500/89 Ascend	3.10	3.39
600/89 Ascend	3.25	3.53
700/89 Ascend	3.40	3.68

Table 5.3: Minimum Ceiling Height Requirements: Wide Bore 89 mm

Magnet Type	Special LHE Transfer Line for Reduced Ceiling Height (m)	Standard LHE Transfer Line (m)
200/154 Ascend	3.20	3.48
300/154 Ascend	3.20	3.48

Table 5.4: Minimum Ceiling Height Requirements: Super Wide Bore 154 mm

Ceiling Height for Installation

Bruker is using different tools to lift the magnet up to the magnet stand. A-Frames and tripods are typically height adjustable. Worst case a magnet system can be lifted from the magnet bottom plate or assembled nearby.

6 Magnetic Fringe Fields

Magnetic fringe fields are three dimensional, and extend further in the vertical direction than in the horizontal direction.

A number of studies have been carried out on the long term **effects of magnetic fields on personnel**. As a general rule the working place (e.g. workstation, sample preparation area etc.) must be placed outside the **0.5 mT (5 G)** line. For further information on acceptable magnetic field limits contact your countries health authorities or your area Bruker office.

Various devices are affected by the magnet and must be located outside the limits specified in the following section. For comparison the earth's magnetic field is 0.05 mT (0.5 G).



Please note that when more than one magnet is located in a room the 0.5 mT (5 G) line from each magnet should not overlap.

Fringe Field Distances	Device	Effects
200 mT (2000 G)	All devices should be outside this line. Refer to current standards on health and safety (e.g. BGV B11 in the European Community) in the workplace for specifications on how long personnel may remain within this area.	
5 mT (50 G)	Magnet power supply, RF power amplifier, Cryo-cooling platform.	Electrical transformers which are a component of many electrical devices may become magnetically saturated in fields above 50 Gauss (5 mT). The safety characteristics of equipment may also be affected.
3 mT (30 G)	Metallic parts.	Attraction and projectile risk in the fringe field of high field strength sources (> 100mT).
2 mT (20 G)	Magnetic storage material	The information stored on tapes may be destroyed or corrupted.
1 mT (10 G)	Computers, X-ray tubes, credit cards, bank cards, watches, clocks, cameras, TFT computer monitor.	The magnetically stored information in computers and credit cards may be corrupted in fields greater than 1 mT (10 G). Small mechanical devices such as watches or cameras may be irreparably damaged. (Digital watches may be worn safely).
0.5 mT (5 G)	Pacemakers, Medical Implants Cathode Ray tubes, CryoProbe compressor.	Magnetic fields greater than 0.5 mT (5 G) will deflect a beam of electrons leading to a distortion of the screen display.
0.1 mT (1 G)	Only very sensitive electronic equipment such as image intensifiers, nuclear cameras and electron microscopes will be affected.	

Table 6.1: Effects of Magnetic Fields on Equipment

Magnetic Fringe Fields

The accompanying tables in this chapter display the horizontal fringe fields in the radial, direction, as well as, the vertical fringe field in the axial direction.

Please note all measurements in the following tables are in meters!

6.1 Horizontal Fringe Fields

Magnet Type	5.0 mT (50 G)	3.0 mT (30 G)	1.0 mT (10 G)	0.5 mT (5 G)	0.2 mT (2 G)	0.1 mT (1 G)	0.05 mT (0.5 G)
300/54 Ascend ULH	0.26	0.29	0.34	0.40	0.54	0.70	0.92
400/54 Ascend	0.38	0.41	0.46	0.50	0.65	0.83	1.08
400/54 Ascend ULH	0.38	0.41	0.46	0.50	0.65	0.83	1.08
500/54 Ascend	0.47	0.50	0.56	0.60	0.74	0.96	1.26
500/54 Ascend ULH	0.47	0.50	0.56	0.60	0.74	0.96	1.26
600/54 Ascend	0.52	0.56	0.62	0.70	0.92	1.18	1.55
600/54 Ascend ULH	0.52	0.56	0.62	0.70	0.92	1.18	1.55
700/54 Ascend	0.49	0.52	0.65	0.80	1.10	1.42	1.87
800/54 Ascend	0.77	0.84	1.03	1.25	1.70	2.20	2.86

ULH = Ultra Long Hold. Distances are measured in **radial** direction from magnetic center.

Table 6.2: Horizontal Fringe Fields: Standard Bore 54 mm

Magnet Type	5.0 mT (50 G)	3.0 mT (30 G)	1.0 mT (10 G)	0.5 mT (5 G)	0.2 mT (2 G)	0.1 mT (1 G)	0.05 mT (0.5 G)
300/89 Ascend	0.36	0.39	0.48	0.55	0.72	0.91	1.17
400/89 Ascend	0.44	0.47	0.55	0.60	0.69	0.82	1.03
500/89 Ascend	0.44	0.47	0.55	0.60	0.69	0.82	1.03
600/89 Ascend	0.68	0.74	0.88	1.00	1.30	1.65	2.13
700/89 Ascend	0.80	0.88	1.09	1.25	1.50	1.81	2.26

Distances are measured in **radial** direction from magnetic center.

Table 6.3: Horizontal Fringe Fields: Wide Bore 89 mm

Magnet Type	5.0 mT (50 G)	3.0 mT (30 G)	1.0 mT (10 G)	0.5 mT (5 G)	0.2 mT (2 G)	0.1 mT (1 G)	0.05 mT (0.5 G)
200/154 Ascend	0.55	0.62	0.78	0.90	1.16	1.47	1.89
300/154 Ascend	0.65	0.72	0.88	1.00	1.29	1.63	2.10

Distances are measured in **radial** direction from magnetic center.

Table 6.4: Horizontal Fringe Fields: Super Wide Bore 154 mm

6.2 Vertical Fringe Fields

Magnet Type	5.0 mT (50 G)	3.0 mT (30 G)	1.0 mT (10 G)	0.5 mT (5 G)	0.2 mT (2 G)	0.1 mT (1 G)	0.05 mT (0.5 G)
300/54 Ascend ULH	0.50	0.55	0.69	0.80	1.00	1.19	1.45
400/54 Ascend	0.64	0.70	0.87	1.00	1.24	1.47	1.77
400/54 Ascend ULH	0.64	0.70	0.87	1.00	1.24	1.47	1.77
500/54 Ascend	0.80	0.87	1.06	1.20	1.48	1.75	2.09
500/54 Ascend ULH	0.80	0.87	1.06	1.20	1.48	1.75	2.09
600/54 Ascend	0.90	0.99	1.21	1.40	1.71	2.03	2.45
600/54 Ascend ULH	0.90	0.99	1.21	1.40	1.71	2.03	2.45
700/54 Ascend	0.99	1.09	1.37	1.60	2.01	2.42	2.95
800/54 Ascend	1.50	1.66	2.12	2.50	3.16	3.83	4.68

ULH = Ultra Long Hold. Distances are measured in **axial** direction from magnetic center.

Table 6.5: Vertical Fringe Fields: Standard Bore 54 mm

Magnet Type	5.0 mT (50 G)	3.0 mT (30 G)	1.0 mT (10 G)	0.5 mT (5 G)	0.2 mT (2 G)	0.1 mT (1 G)	0.05 mT (0.5 G)
300/89 Ascend	0.68	0.75	0.94	1.10	1.37	1.64	1.98
400/89 Ascend	0.79	0.86	1.05	1.20	1.45	1.70	2.02
500/89 Ascend	0.79	0.86	1.05	1.20	1.45	1.70	2.02
600/89 Ascend	1.25	1.38	1.72	2.00	2.49	2.98	3.60
700/89 Ascend	1.56	1.72	2.15	2.50	3.09	3.67	4.41

Distances are measured in **axial** direction from magnetic center.

Table 6.6: Vertical Fringe Fields: Wide Bore 89 mm

Magnet Type	5.0 mT (50 G)	3.0 mT (30 G)	1.0 mT (10 G)	0.5 mT (5 G)	0.2 mT (2 G)	0.1 mT (1 G)	0.05 mT (0.5 G)
200/154 Ascend	1.10	1.21	1.53	1.80	2.26	2.71	3.30
300/154 Ascend	1.18	1.32	1.69	2.00	2.53	3.06	3.74

Distances are measured in **axial** direction from magnetic center.

Table 6.7: Vertical Fringe Fields: Super Wide Bore 154 mm

6.3 Fringe Field Plots

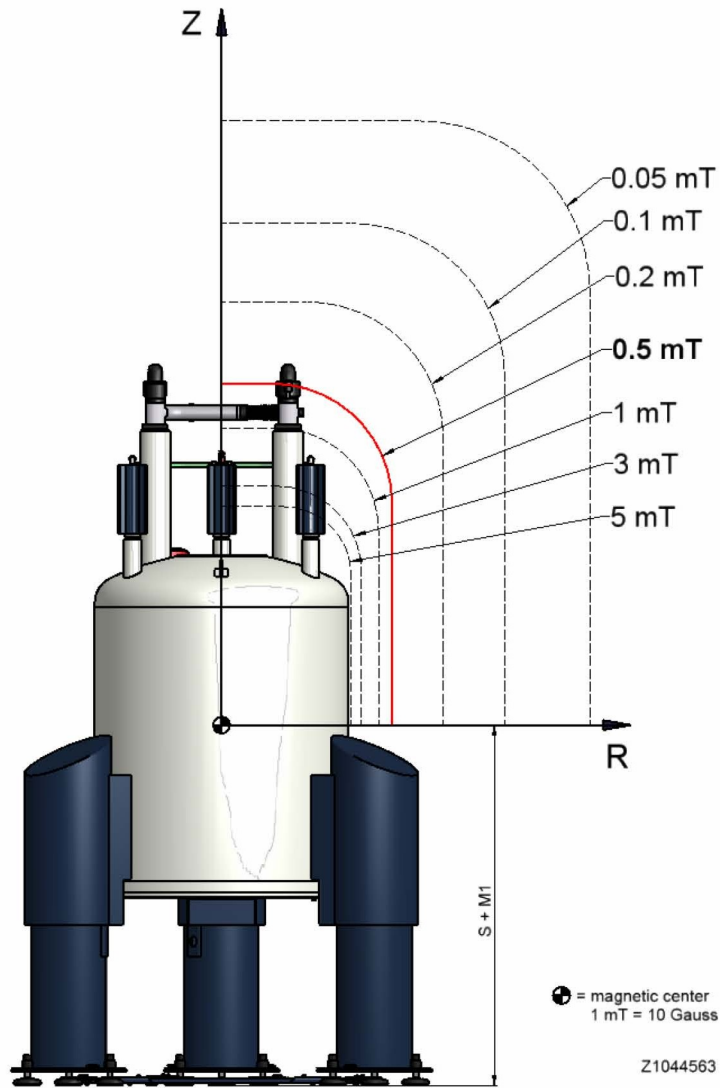


Figure 6.1: Example of a Fringe Field Plot

7 Environment and Site Survey Measurement

This chapter covers the various site survey topics related to the NMR laboratory. The measurements and associated guidelines include:

- Vibrations
- Magnetic Environment
- Electromagnetic Interference: DC and AC EMF
- RF Interference



Note: The results of measurements carried-out during a site survey only reflect the specific conditions that were present during the survey. Although these results are useful as a reference, they would not be conclusive for the after-the-installation system performance if one or more site conditions change. These changes may be related but not limited to sources of vibrations and electromagnetic field and RF interference like electro-mechanical equipment (HVAC, motors, pumps, freezers, etc.), elevators, car/bus/train traffic, power lines, transformers, radio/TV stations and other possible RF sources.

7.1 Vibrations

External vibrations may cause field modulations in the sample cavity. This could result in vibration sidebands, matched NMR signals that appear on either side of a main signal peak. The effect of vibrations on NMR performance will depend on the type of work being carried out, the type of system and the site building materials.

- Ideally the site should be at basement level or on the ground floor to minimize building vibrations.
- Possible sources of vibrations are generators, compressors, fans, machinery etc. Vibrations from external sources such as cars, trains, airplanes, and construction sites can also cause problems.
- Measuring the extent of vibrations at the magnet location is a relatively simple matter; if you suspect a problem you should contact your local Bruker office.
- For new constructions, Bruker is enforcing a well established method of thick and large concrete foundations.

The following thresholds represent the maximum velocities and accelerations that could be tolerated on the floor of the laboratory where the magnet is going to be located.

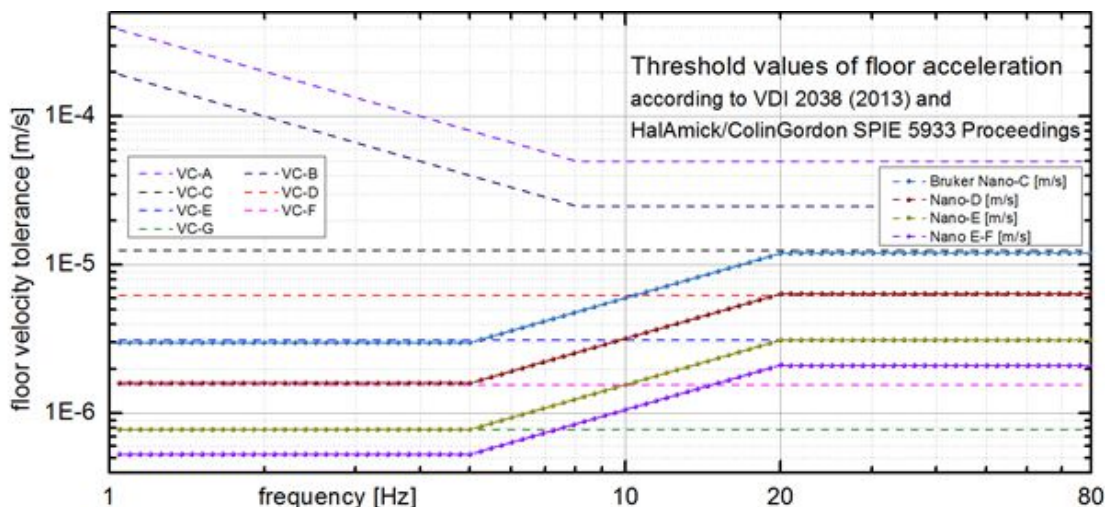


Figure 7.1: Threshold Values of Floor Acceleration

The thresholds listed above correspond to vibration related NMR sidebands reaching the height of ^{13}C satellites in the CHCl_3 line shape spectrum. These thresholds might not meet the needs for demanding NMR applications.

The height of vibration sidebands is approximately linear with the floor acceleration levels, meaning that an NMR application requiring smaller sidebands than the height of ^{13}C satellites would need to have reduced floor acceleration thresholds by the same percentage factor.

7.1.1 Integrated Isolator Options

All Bruker magnets are delivered standard with integrated isolators as follows:

- **EMI** (Elastomeric Isolators) – Standard for 300-500 MHz magnets.
- **ADI** (Air Spring and Damped Isolators) – Standard for 600 MHz magnets, optional for 300-500 MHz magnets.
- **API** (Air Piston Isolators) – Standard for 700-800 MHz magnets, optional for 300-600 MHz magnets.

7.1.2 General Vibration Guidelines

General guidelines for buildings

The common standards for floor vibrations related to the impact on sensitive tools and instruments are known as the VC curves and are presented below.

Criterion Curve	Amplitude $\mu\text{m/s}$ ($11\mu\text{i/s}$) [*]	Description of Use
Workshop (ISO)	800 (32 000)	Distinctly perceptible vibration. Appropriate to workshops and nonsensitive areas.
Office (ISO)	400 (16 000)	Perceptible vibration. Appropriate to offices and nonsensitive areas.

Criterion Curve	Amplitude $\mu\text{m/s}$ ($11\mu\text{i/s}$)*	Description of Use
Residential day (ISO)	200 (8 000)	Barely perceptible vibration. Appropriate to sleep areas in most instances. Usually adequate for computer equipment, hospital recovery rooms, semiconductor probe test equipment, and microscopes less than 40x.
Operating theater (ISO)	100 (4 000)	Vibration not perceptible. Suitable in most instances for surgical suites, microscopes to 100x and for other equipment of low sensitivity.
VC-A	50 (2 000)	Adequate in most instances for optical microscopes to 400x, microbalances, optical balances, proximity and projection aligners, etc.
VC-B	25 (1 000)	Appropriate for inspection and lithography equipment (including steppers) to 311m line widths.
VC-C	12.5 (500)	Appropriate standard for optical microscopes to 1000x, lithography and inspection equipment (including moderately sensitive electron microscopes) to 1 11m detail size, TFT-LCD stepper/scanner processes.
VC-D	6.25 (250)	Suitable in most instances for demanding equipment, including many electron microscopes (SEMs and TEMs) and E-Beam systems.
VC-E	3.12 (125)	A challenging criterion to achieve. Assumed to be adequate for the most demanding of sensitive systems including long path, laser-based, small target systems, E-Beam lithography systems working at nanometer scales, and other systems requiring extraordinary dynamic stability.
VC-F	1.56 (62.5)	Appropriate for extremely quiet research spaces; generally difficult to achieve in most instances, especially cleanrooms. Not recommended for use as a design criterion, only for evaluation.
VC-G	0.78 (31.3)	Appropriate for extremely quiet research spaces; generally difficult to achieve in most instances, especially cleanrooms. Not recommended for use as a design criterion, only for evaluation.
<p>*As measured in one-third octave bands of frequency over the frequency range 8 to 80 Hz (VC-A and VC-B) or 1 to 80 Hz (VC-C through VC-G).</p> <p>The information given in this table is for guidance only. In most instances, it is recommended that the advice of someone knowledgeable about applications and vibration requirements of the equipment and processes be sought.</p> <p>Source: Reprinted with permission from Colin Gordan Associates.</p>		

Table 7.1: Application and Interpretation of the Generic Vibration Criterion (VC) Curves

7.1.3 Measuring Floor Vibrations

Bruker offers a service for measuring floor vibrations using specialized hardware and software. We recommend measurements to be done over a period of at least 1 hour (ideally much longer) to try capturing both steady state conditions and transient events.

For an accurate assessment of the floor vibration threshold, an FFT with at least 1601 lines on 200 Hz bandwidth should be used. The Power Spectrum Display (PSD) representation is depreciated for its limited accuracy in amplitudes.

Also we recommend simultaneous measurements (multiple transducers) along the 3 axis (vertical, 2 horizontal).

7.1.4 Floor Vibration Guidelines: Bruker EMI Damping System

EMI damping system (Elastomeric Isolators)

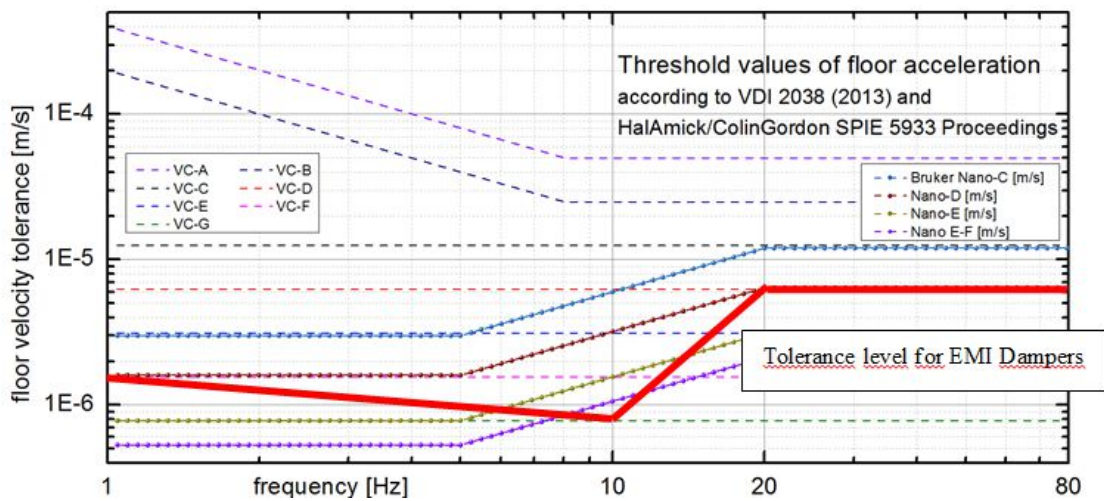


Figure 7.2: Threshold Values of Floor Acceleration: Tolerance Level for EMI Dampers

Frequency	Maximum Velocity in Vertical Direction	Maximum Velocity in Horizontal Direction
1-10 Hz	1.6...0.64 $\mu\text{m/s}$	1.6...0.64 $\mu\text{m/s}$
10-20 Hz	0.64...6.4 $\mu\text{m/s}$	0.64...6.4 $\mu\text{m/s}$
>20 Hz	6.4 $\mu\text{m/s}$	6.4 $\mu\text{m/s}$

Table 7.2: EMI Damping System (Elastomeric Isolators)

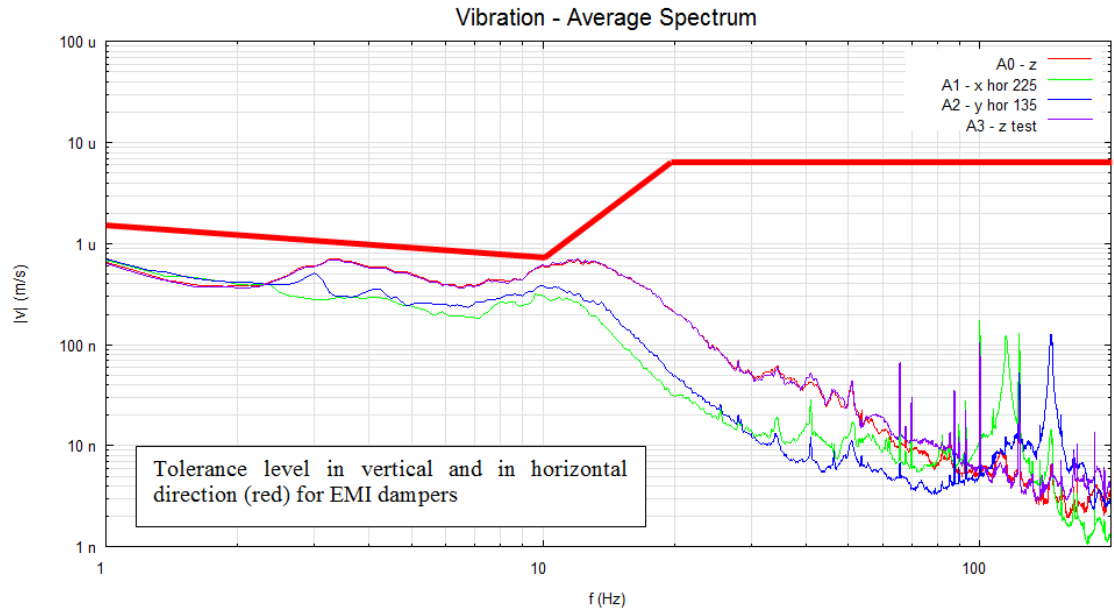


Figure 7.3: Example of the Bruker Tolerance Level for Elastomer Dampers. Resolution < 0.125 Hz, 1... 200 Hz, > 30 min, Average Measurement 1 (displayed in velocity)



Figure 7.4: Elastomer Dampers

7.1.5 Floor Vibration Guidelines: Bruker Nano-C and Nano-D

ADI damping system (Air Spring Damped Isolators with vertical damping)

Frequency	Maximum Velocity in Vertical Direction	Maximum Velocity in Horizontal Direction
1-5 Hz	3 $\mu\text{m/s}$	1.6 $\mu\text{m/s}$
5-20 Hz	3...12 $\mu\text{m/s}$	1.6...6.4 $\mu\text{m/s}$
>20 Hz	12 $\mu\text{m/s}$	6.4 $\mu\text{m/s}$

Table 7.3: ADI Damping System (Elastomeric Isolators)

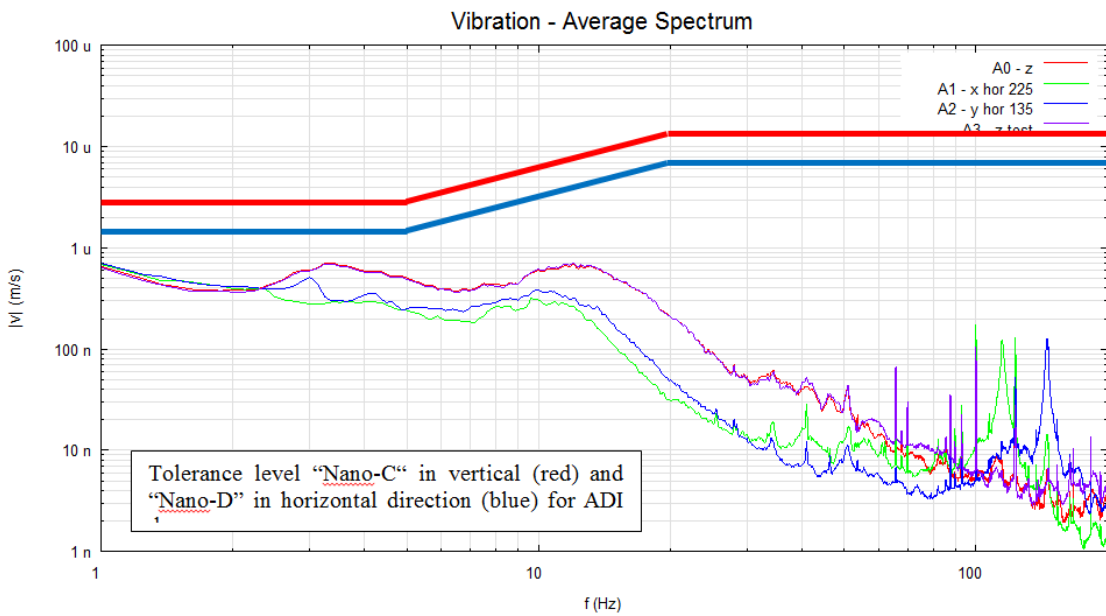


Figure 7.5: Example of the Bruker Tolerance Level for ADI Dampers. Resolution <0.125 Hz, 1...200 Hz, > 30 min, Average Measurement 1 (displayed in velocity)



Figure 7.6: ADI Dampers

7.1.6 Floor Vibration Guidelines: Bruker Nano-C API Damping System

API Damping System

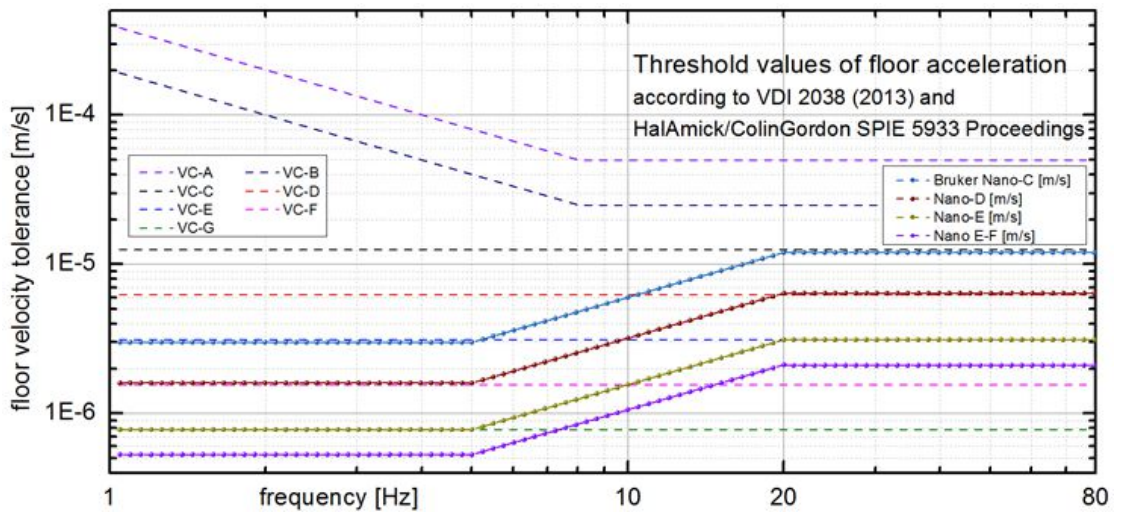


Figure 7.7: Tolerance Level Nano-C for API Dampers

Frequency	Maximum Velocity in Vertical Direction	Maximum Velocity in Horizontal Direction
1-5 Hz	3 $\mu\text{m/s}$	3 $\mu\text{m/s}$
5-20 Hz	3...12 $\mu\text{m/s}$	3...12 $\mu\text{m/s}$
>20 Hz	12 $\mu\text{m/s}$	12 $\mu\text{m/s}$

Table 7.4: Tolerance Level for API Damping System

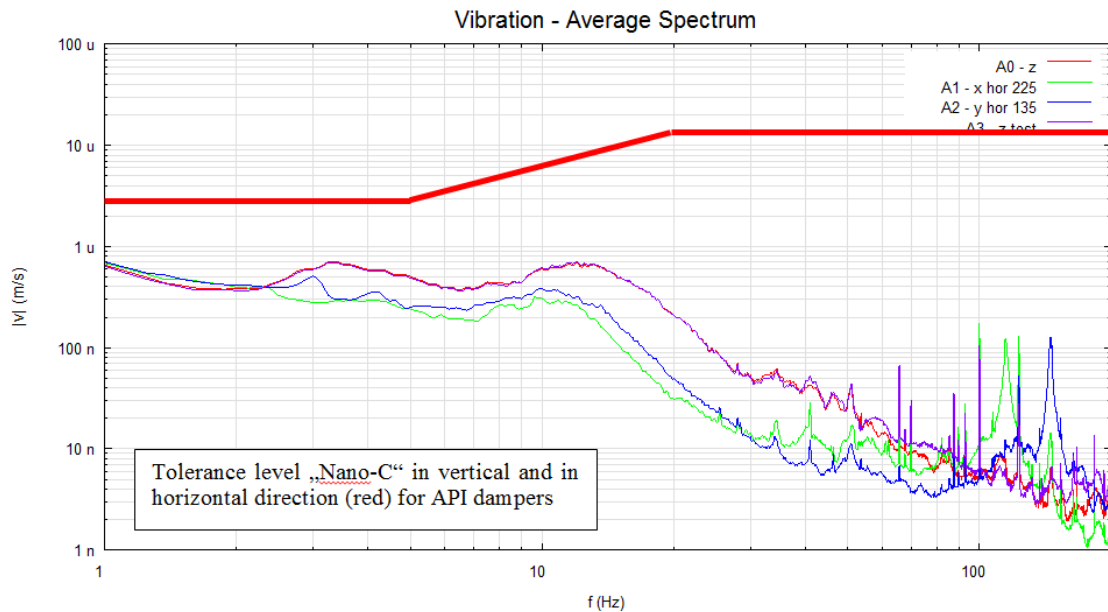


Figure 7.8: Example of the Bruker Tolerance Level for API Dampers. Resolution < 0.125 Hz, 1...200 Hz, > 30 min, Average Spectra Measurement 1 (displayed in velocity)

According to VDI 2038 (2013) Bruker is following the threshold values of sensitive laboratory equipment. Bruker implemented a Nano-C limit which is less critical as Nano-D. The only big difference in observing these data is to use a higher resolution as only 1/3 octave. We recommend to measure with a resolution of < 0.125 Hz to get the right amplitudes in the low frequency part (average spectra over a period of > 30 min).

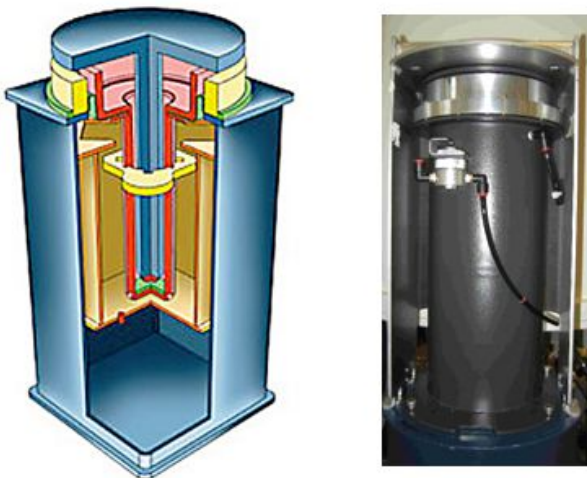


Figure 7.9: Schematic Drawing of an API Type Damping System

7.2 Magnetic Environment

The presence of any ferromagnetic materials in the immediate vicinity of the magnet will decrease the magnets homogeneity and may degrade overall performance. Although minimum requirements for routine NMR are not stringent, the magnetic environment must be optimized if more sophisticated experiments are being carried out. Usually, the effect of metal pipes, radiators, and other such objects can be “shimmed out”, but whenever possible, this should be avoided.

7.2.1 Guidelines for Static Objects

The next table gives a list of common sources of magnetic interference for magnets. These items should be located according to the recommendations below. It must be emphasized however, that such recommendations represent a situation that may not be achievable. Please consult with Bruker for possible solutions if one or more of these recommendations cannot be satisfied.

Object	Minimum distance from magnetic center (m)
Steel reinforced walls	2.5
Radiators, plumbing pipes	2.5
Metal table, metal door	2.5
Filing cabinet, steel cabinet	2.5
Iron or steel beams	3
Massive objects, e.g. boiler	3

Table 7.5: Recommendations for Static Magnetic Objects

7.2.2 Guidelines for Moving Objects

The table below serves as a guideline for moveable magnetic material.

Object	Actual distance from magnetic center (m)
Steel cabinet doors	3
Large metal door, hand trolley	4
Elevators*	6
Trucks, cars, fork-lifts	9
Trains, subways, trams*	30

*Elevators, trains and trams are more likely to be a source of vibrational interference. Note that D.C. operated elevators, trains, and trams may cause disturbances over much larger distances (see [Guidelines for DC Interference \[▶ 57\]](#)).

Table 7.6: Recommendations for Moveable Magnetic Objects

7.3 Electromagnetic Interference

Possible sources of interference are power lines which may carry fluctuating loads, heavy duty transformers, large electric motors, air conditioning systems, power transformers, etc. The fluctuating electromagnetic fields arising from such devices can interfere with the magnet and cause spatiotemporal field instabilities. Of particular concern are sudden changes in load as may be produced by elevators, trams, subways etc.

Other sources of interference include radio and television stations, satellites and other HF transmitters that may operate in the vicinity of NMR frequencies of interest.

The effect of such interferences on the NMR/MRI/micro-imaging results strongly depends on various parameters, such as the experiment itself, digital lock parameters, lock substance, experiments (pulse programs), 2H S/N, magnet generation and temperature and if there is a digital lock at all.

If you suspect that you have a source of interference located near the proposed magnet site then you should contact Bruker BioSpin for a site survey.

Bruker offers a service for measuring EMF interferences using specialized hardware and software. We recommend measurements to be done over a period of at least one hour (ideally much longer) to try capturing both steady state conditions and transient events. However, often there is a need to do much longer measurements, including overnight.

7.3.1 Types of EMF Interference

- DC interference (up to 1 Hz).
- AC interference (from 1 Hz up to 200 Hz, especially 16 2/3 Hz*, 50 Hz, 60 Hz and harmonics).
- HF Interference.

* 16 2/3 is the standard for long distance train power lines.

7.3.2 DC EMF Interference

DC interferences (0-1 Hz) generally come from devices operated on DC, such as subways, trams, trolley-bus, suburban trains, etc. The locations of both the device and its power supply and lines relative to the proposed NMR site are essential to the amplitude and orientation of DC fields and how they may interfere with the NMR system. DC feeder lines are just as disturbing as the vehicle itself and they do not run necessarily parallel to the track.

Moving iron (or other ferromagnetic materials) may cause DC interferences:

- Trains
- Trucks & Cars
- Elevators
- Forklifts
- Doors
- Large parts with magnetic material (steel cabinets, containers)

7.3.2.1 Measuring DC Fluctuating Fields

DC EMF measurements should be conducted using a 3 axis **fluxgate magnetometer** placed at the location of the planned magnetic center. The fluxgate sensors must be capable to accurately measure fields in the range $\pm 100 \mu\text{T}$ (or better $\pm 1 \text{ mT}$ in a laboratory with unshielded magnets). The quality of the fluxgate sensors and acquisition system should result in accuracy better than 5 nT. The sensor signals are recorded with an analog data acquisition system at a sampling rate of 2'500 S/s or more. The data is processed (digital LP-filter with $f_c = 1.3 \text{ Hz}$) and subsampled to 2 S/s so that the AC ($> 1 \text{ Hz}$) components are efficiently suppressed. Measurements should be performed during actions in the environment causing field changes. Typically, this results in a measurement during a full working day (9 to 17) and performing all actions causing DC interferences (such as moving a forklift or operating an elevator). In addition, an over-night measurement is recommended to separate singularities from constantly present interferences.



The measurement of DC and AC EMF interference can be performed with the same hardware (fluxgates). The recorded waveform is processed in different ways.

7.3.2.2 Guidelines for DC Interference

When determining the effect of fluctuating magnetic fields, two parameters are important: the size of the fluctuation and the rate of change, as follows:

- In a moving window of 1000 seconds the difference of the maximum and minimum values from the filtered and sub-sampled data set should not exceed:

$$- \Delta B = B_{\max} - B_{\min} < 1400 \text{ nT (peak to peak) for the frequency range } 0 \dots 1 \text{ Hz.}$$

Note this guideline is shown with a red line in the figure [Figure 7.10 \[p 59\]](#) (the threshold of 700 nT represents 0 to peak).

- The absolute value of the derivative should not exceed:

$$- \left| \frac{dB}{dt} \right| < 314 \text{ nT/s.}$$

Note this guideline is shown with a green line in the figure [Figure 7.10 \[p 59\]](#).

The distance to subways, trams and DC feeder lines should be at least 100 m, otherwise you should contact your local Bruker office for further clarification.

7.3.2.3 Reducing DC Interference

Two Bruker technologies help to suppress the DC field perturbations:

- Modern magnets with EDS™ technology (External Disturbance Suppression) efficiently suppress interferences by a factor $\sim 25\text{-}1000$, depending on the model and disturbance frequency.
- The advanced digital lock (if present) further suppresses the field fluctuations at the sample. Depending on various parameters, its efficiency varies considerably. Lock hold (for example during gradient pulses) and a strong external field change may lead to difficulties.

7.3.3 AC EMF Interference

In high resolution NMR AC disturbances in the frequency range of 1Hz to several 100 Hz cause modulation sidebands in NMR spectra, as long as the disturbance frequency is equal to or larger than the line width. As long as these sidebands are small in amplitude they disappear in the noise floor. Above 1 Hz, the most prominent disturbances usually originate

from electrical power and devices that rotate/move with the according frequencies (16-2/3 Hz and 50/60 Hz and harmonics). But also other field components at other frequencies may be present in laboratory environments.

Typical sources for 16-2/3 Hz interferences are long distance trains and/or streetcars. Likewise, the 50/60 Hz interferences have their sources in electrical wiring, transformers and fluorescent lights located in the vicinity of the NMR spectrometer.

7.3.3.1 Measuring AC EMF Interferences

AC EMF measurements should be conducted using a 3-axis fluxgate magnetometer placed at the location of the planned magnetic center and console. The fluxgate sensors must be capable to accurately measure fields in the range $\pm 100 \mu\text{T}$ (or better $\pm 1 \text{ mT}$ in a laboratory with unshielded magnets). The quality of the fluxgate sensors and acquisition system should result in accuracy better than 5 nT. The sensor signals are recorded with an analog data acquisition system at a sampling rate of 2'500 S/s or more. The data is block-wise (4 seconds) processed: digital LP -filter with $f_c = 225 \text{ Hz}$, subsampled to 500 S/s, FFT (200 Hz band width and 0.25 Hz resolution). The single block magnitude spectra are used to compute average and peak-hold spectra as well as spectrograms (waterfall plots) reflecting the evolution of AC EMF spectral content over time. Measurements should be performed when possible sources are in operation. Typically this results in a measurement during a full working day (9 to 17). In addition, an over-night measurement is recommended to separate singularities from constantly present interferences.



The measurement of DC and AC EMF interference can be performed with the same hardware (fluxgates). The recorded waveform is processed in different ways.

In case large disturbances are detected at the planned magnet center or the console area, specific locations must be checked to identify possible sources such as:

- Along the wall inside the laboratory at 5 cm (~2") from wall, and 3.8 cm (4") from wall
- Approximately 5 cm (~2") below the existing lights in the room
- Near the main outlets 230V (USA - 208V) locations in the room
- Neighboring rooms and installed machines/devices in there.
- The paths towards tram, train, subway lines, power stations, etc.

Based on the results, a strategy to reduce AC interferences can be worked out (see [Reducing AC EMF Interference \[p. 59\]](#)).

7.3.3.2 Guidelines for AC EMF Interference

Between 1 Hz and 10 Hz: NMR systems are usually more sensitive to external disturbances in this frequency range. It is suggested to stay below a straight line defined by 70 nT at 1 Hz and 700 nT at 10 Hz in a log/log magnitude/frequency plot. These are 0 to peak values. See figure below.

Above 10 Hz: Maximum 700 nT magnitudes (0 to peak) can be tolerated for interferences with frequencies above 10 Hz.

Rough Guidelines for EMF Disturbances

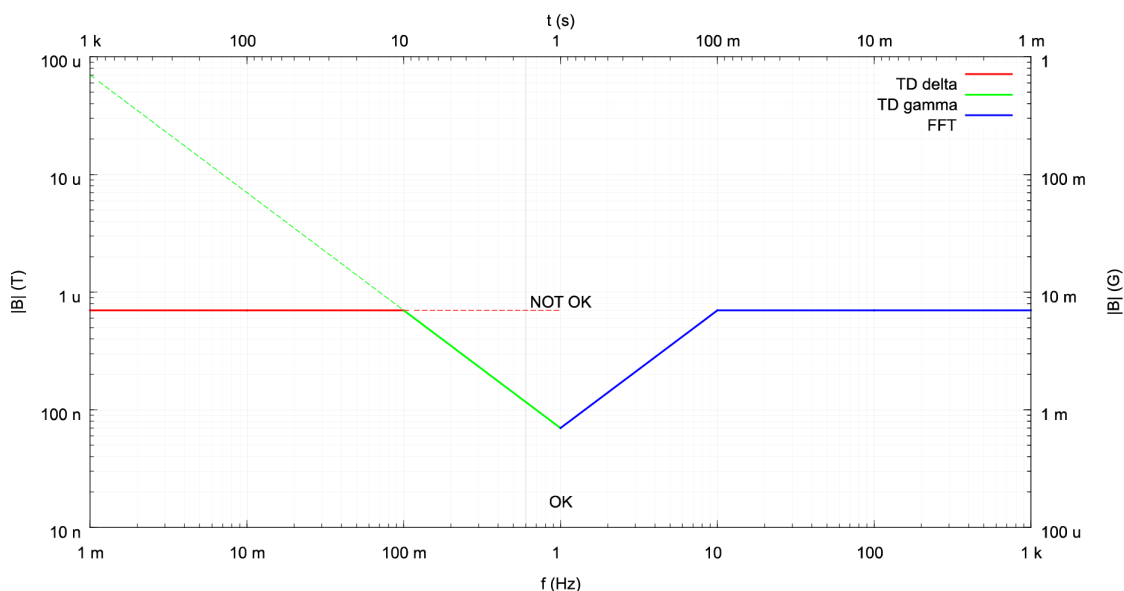


Figure 7.10: Specification Framework with the Magnetic Field Represented as 0 to Peak Values

7.3.3.3 Reducing AC EMF Interference

Two Bruker technologies help to suppress the DC field perturbations:

- Modern magnets with EDS™ technology (External Disturbance Suppression) efficiently suppress AC interferences by a factor ~25-10000, depending on the model and disturbance frequency. Above 1 Hz, one can generally state: the higher the frequency the better the suppression and the less sensitive NMR is to interferences.
- The advanced digital lock (if present) further suppresses the field fluctuations at the sample. Depending on various parameters, its efficiency varies considerably.

7.3.4 HF Interference

The NMR instrument is effectively a very sensitive radio frequency receiver. Possible sources of interference are local radio or television broadcasts, low Earth orbit satellite systems, and signals emitted by personal paging systems. Of particular concern will be interference at frequencies at which NMR experiments are carried out. Although the interference effects will depend greatly on the strength of the transmitter, as a rule of thumb only broadcasting transmitters located within a radius of approximately 5 kilometers (3 miles) are likely sources of interference.

HF interference may also occur between two or more spectrometers located in close proximity and operating at the same nominal 1H resonance frequency.

7.3.4.1 Measuring HF Fluctuating Fields

Radio Frequency Interference measurements should be conducted using a spectrum analyzer. The analysis should be done for the resonance frequency of each of the nuclei of interest (proportional to the 1H resonance frequency of the spectrometer). The minimum frequency sweep is 400 kHz.

7.3.4.2 Most Commonly Studied Nuclei

Nuclei	NMR Frequency (MHz)							
	200	300	400	500	600	700	750	800
1H	200.000	300.000	400.000	500.000	600.000	700.000	750.000	800.000
2H	30.701	46.072	61.422	76.773	92.124	107.474	115.155	122.827
11B	64.167	96.294	128.378	160.462	192.546	224.630	240.683	256.740
13C	50.288	75.468	100.613	125.758	150.903	176.048	188.629	201.204
15N	20.265	30.423	40.560	50.697	60.834	70.971	76.043	81.221
19F	188.154	282.404	376.498	470.592	564.686	658.780	705.858	753.003
27Al	52.114	78.204	104.261	130.318	156.375	182.432	195.469	208.647
29Si	39.730	59.627	79.495	99.362	119.229	139.096	149.036	159.147
31P	80.961	121.495	161.976	202.456	242.937	283.418	303.671	324.224

Table 7.7: List of Most Commonly Studied Nuclei and Corresponding Resonance Frequencies

7.3.4.3 Guidelines for HF Interference

As a general guideline the level of any HF interference should be less than an electrical field strength (detection: max. peak) of 80 dBuV/m with a minimum Resolution Band Width (RBW) of 300 kHz at the side of the magnet.

7.3.4.4 Reducing HF Interference

Screening a site for possible HF Interference is complicated and expensive. Shielding of the laboratory with a Faraday cage is a possible solution, though having to take such measures is quite rare.

When designing and manufacturing the Bruker spectrometers, care is taken to provide adequate shielding and the instruments rarely suffer from interference in normal HF environments. Furthermore, the advanced BSMS digital lock system - included with all Bruker AVANCE NEO spectrometers - allows a shift in the 2H lock frequency with certain limits. This may allow enough variation in the absolute magnet field strength to shift the NMR signal away from that of local broadcasting frequencies.

HF interference may occur between two or more spectrometers located in close proximity and operating at the same nominal 1H resonance frequency. These problems can be avoided by energizing the different magnets at slightly different fields, such that their operational frequencies are separated by ~ 200 kHz at the nominal 1H resonance frequency.

8 Utility Requirements

Contents:

[Electrical Power Requirements](#) [▶ 61]

[Telecommunication](#) [▶ 64]

[Compressed Gas](#) [▶ 64]

[Liquid Nitrogen Requirements](#) [▶ 70]

[Cooling Water](#) [▶ 70]

[Lighting](#) [▶ 71]

[HVAC \(Heating Ventilation Air Conditioning\)](#) [▶ 71]

[Emergency Ventilation During Installation and Quenches](#) [▶ 73]

[Fire Detection System and Fire Extinguishers](#) [▶ 77]

8.1 Electrical Power Requirements

When planning the electrical power requirements of your site make provision for extra equipment which you may install, e.g. personal computers, workstations, air conditioning systems, etc.

Each AVANCE NEO cabinet (except NanoBay) comes supplied with four spare electrical outlets (230V/10A) which can be used to power standard ancillary equipment. Two outlets are designed to power the NMR Workstation and Imaging cabinet (optional). This leaves two spare outlets for accessories such as the Sample Changers etc. The table in this section lists the power requirements of other equipment which, because of their large power consumption, require power sources separate to that of the AVANCE NEO cabinet.

Other Power Requirement Considerations

- For installation of the AVANCE NEO system a 230V/16A outlet is needed for the turbo-pumps, as well as an additional 230V/16A outlet for the magnet power supply (during installation and service).
- A TwoBay with Solid Accessory 600/700 MHz can be approximated to a standard TwoBay plus High Power cabinet and so the total power requirements is 5 kW.
- The power requirements for the CP-MAS will depend on the amplifiers that are used. The control unit itself will not use more than 100W.
- If line voltage fluctuations exceed -5% to +10% a voltage stabilizer must be used. The lifetime of the various electrical components in the spectrometer will also be lengthened when a voltage stabilizer is used. Contact your local Bruker BioSpin office for more information on voltage stabilizers.
- Where total interruption of power occurs frequently, you should consider installing a UPS (Uninterruptable Power Supply) possibly linked to an emergency back-up generator. This is particularly advisable when long-time experiments are to be run.
- The power supply to the spectrometer must be "clean" (no spikes), i.e. it must not share with air conditioners, compressors, etc.
- All grounding for mains in the lab must be connected together to avoid differences in earth potential.

Utility Requirements

System and Amplifiers	Mains Supply	Power Consumption (kVA)*	Length of Mains Cable (m)
NEO OneBay	230V / 16A single phase 50 Hz, or 208V 60 Hz / 20A single phase in USA	1.3	5.5
NEO OneBay with Heightening	230V / 16A single phase 50 Hz, or 208V 60 Hz / 20A single phase in USA	2.0	5.5
NEO TwoBay optimized for solids	230V / 32A single phase 50 Hz or 400V / 16A triple phase 60 Hz, or 208V 60 Hz / 30A single phase in USA	3.0	5.5
NEO TwoBay optimized for Microlmaging Systems	230V / 32A single phase 50 Hz or 400V / 16A triple phase 60 Hz, or 208V 60 Hz / 30A single phase in USA	3.3	5.5
NEO NanoBay	230V / 16A single phase 50 Hz, or 208V 60 Hz / 20A single phase in USA	1.0	5.5
NMR Computer HP and two LCD Displays	230V / 10A single phase 50 Hz, or 208V 60 Hz / 20A single phase in USA	0.13	---
Bayvoltex Chiller for Microlmaging Systems	230V 50/60 Hz / 16A single phase or 208V 60 Hz / 20A single phase in USA	~0.45	---
BCU-I	230V 50/60 Hz / 16A single phase or 208V 60 Hz / 20A single phase in USA.	0.38	---
BCU-II	230V 50/60 Hz / 16A single phase or 208V 60 Hz / 20A single phase in USA (power must come from separate outlet).	0.62	---
BCU 20	230V 50/60 Hz / 16A single phase or 208V 60 Hz / 20A single phase in USA	1.15 (with heating) 0.27 (with cooling)	---
UPS for (CCU)	UPS requirements: At least 5 kW for the AVANCE NEO and CCU.		
UPS for AVANCE NEO Spectrometer Cabinet	UPS requirements: At least 2.6 kW for the spectrometer cabinet (depends on configuration). The battery time must be selected according to the maximum duration anticipated for a power failure.		
<p>Note: For the electrical specifications associated to the CryoProbe, CryoProbe - Prodigy, and the Bruker Nitrogen Liquifier accessories, refer to the relevant pages in CryoProbe and Other Accessories [91].</p>			

Table 8.1: Requirements of Basic System (2 Channels)

8.1.1 System Grounding and Potential Equalization of Avance Systems

In order to ensure a safe handling of the spectrometer under any condition, AVANCE systems must be part of the general potential equalization at the user's site.

To establish a complete potential equalization of the whole system, each system is delivered with grounding cables that have to be attached to the console, the HPPR and the magnet as follows:

- A cable must be connected from the central grounding point located on the lower backside of the cabinet, to the grounding of the building.
- When an external preamplifier (HPPR/2) is used, a cable has to be connected from the central grounding point of the spectrometer to the grounding point of the external preamplifier base plate (second figure below).
- A cable must be connected from the magnet grounding point to the grounding point of the spectrometer (first figure below), or if an external preamplifier is used, to the grounding point of the external preamplifier (second figure below).

Please note that the grounding cables must be in place and tightly connected to the respective grounding points before the AVANCE system is energized or connected to the mains connector. Disconnecting one of the cables is only allowed after the whole system has been switched off.

The customer must be advised by the service engineer to take note of the safety information in this manual. A confirmation that they have been instructed to do so is part of the Acceptance Protocol.

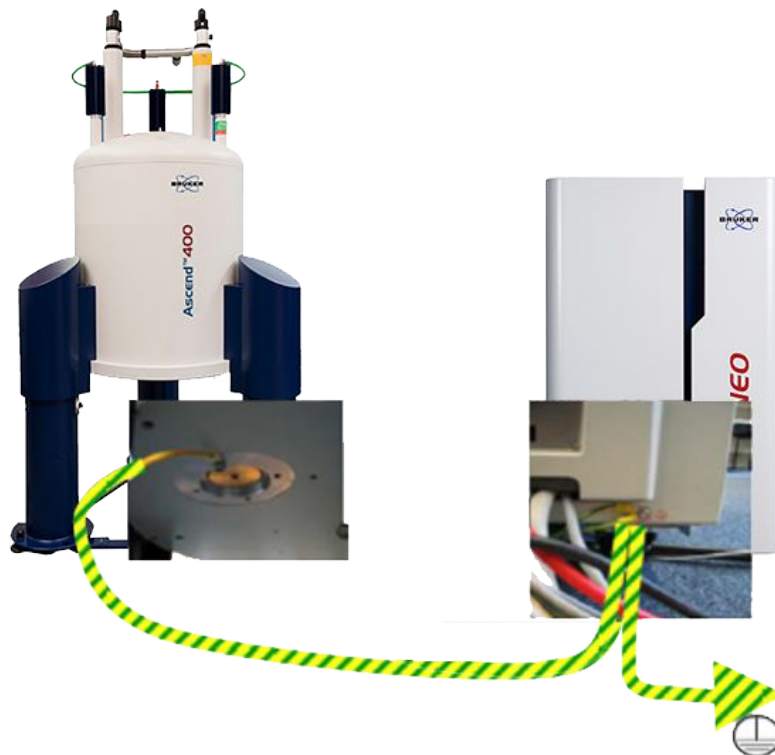


Figure 8.1: AVANCE Spectrometer with Internal Preamp



Figure 8.2: AVANCE Spectrometer with External Preamp (HPPR/2)

8.2 Telecommunication

Please refer to the AVANCE NEO NMR layout in chapter [Floor Plan \[79\]](#). The following ports/connections are required:

- Telephone/data ports behind the workstation.
- Ethernet cable between the AVANCE NEO cabinet and the workstation.

8.3 Compressed Gas

Some components of the AVANCE NEO system and the vibration isolators, which are integrated into the magnet legs, operate with compressed gas.

8.3.1 General Requirements

Compressed gas line: The standard AVANCE NEO system requires one compressed gas line with at least two regulated outputs.

Regulators: Each output should terminate with a regulator (including gage head) suited for a pressure range of 0 - 8.6 bar (0 - 125 psi). The output of the regulator should allow the quick connect for an 8 mm diameter gas tube.

- Compressed nitrogen gas needed for temperature control with VT experiments in order to achieve optimal NMR performance. For example, the BCU-I cooling unit requires a dew point of -51°C (-60°F) for the compressed gas.
- Compressed air or nitrogen gas for spinning.
- Compressed air or nitrogen gas for sample ejection, and for the magnet's vibration isolation units.
- Compressed air or nitrogen gas for the optional CryoProbe system.

8.3.2 Gas Supply

The gas supply used depends on the frequency of the system:

- 200-400 MHz: Compressed air
- 500 MHz: Nitrogen gas with >95% purity.
- 600-800 MHz: Nitrogen gas with >96% purity.

Notes:

- A nitrogen separator (offered by Bruker as an option) can be built into the spectrometer cabinet as an available solution. This will produce the nitrogen gas required for VT work. However, this is not suitable for larger flow rates required by MAS experiments.

The nitrogen separator is suitable for use with the BCU-I cooling unit. However the nitrogen output from the separator is not pure enough and this unit should not be used with a N2 exchanger or BCU-II cooling unit for low temperature work.

- If a CryoCooling unit (CCU) is to be installed, a secondary regulator, T-split from the supply line is recommended.
- The Emergency Sample Protection Device is used in conjunction with the CryoProbe system, and requires a cylinder of air or nitrogen gas.

System	Operating Pressure	Recommended Average Flow*
AVANCE NEO + VT Unit	6-8 bar (80-120 psi)	57 NI/min. (~2 cfm)
AVANCE NEO + Sample Changer**	6-8 bar (80-120 psi)	100 NI/min. (~3.6 cfm)
AVANCE NEO + MAS	6-8 bar (80-120 psi)	300 NI/min. (~11 cfm)

* This is the actual consumption and minimum needed at the instrument input after the N2 supply (either a bulk tank, or a N2 separator). The sample lift to exchange a sample needs for about 1 minute 100 l/min. For a standard NMR systems we expect 3...5 sample exchanges (which are included in recommended flow).

** A recommended flow of 100 liters/min. per sample for sample exchange (about 1 minute), average consumption will depend on the number of samples being used. Typical number of sample exchanges is up to 12 per hour (which is included in the recommended average flow).

For non-MAS work, if an air-compressor and N2 separator are used, the flow requirements are 100% higher, i.e. minimum 4 cfm. It is recommended to use a dual unit oil-less air-compressor rated at minimum double capacity of the specified requirement. Please refer to the next section on air compressors.

Table 8.2: Pressure and Flow Requirements

8.3.3 Other Specifications

Oil Content:

Purity: ISO 8573-1 2010 [1:1:0] (oil free).

ISO 8573-1:2010 specifies purity classes of compressed air with respect to particles, water and oil independent of the location in the compressed air system at which the air is specified or measured.

When specifying the purity of air required, the standard must always be referenced, followed by the purity class selected for each contaminant. A purity of 1:1:0 means:

- Class 1 Particulate: In each cubic meter of compressed air, the particulate count should not exceed 20,000 particles in the 0.1 - 0.5 micron size range, 400 particles in the 0.5 - 1 micron size range and 10 particles in the 1 - 5 micron size range.
- Class 1 Water: A pressure dewpoint (PDP) of -70°C or better is required and no liquid water is allowed.
- Class 0 Oil: As specified by the equipment user or supplier and more stringent than Class 1.

Water Content:

For the BCU-I cooling unit the compressed gas should have a dew point of -51°C (-60°F). For the BCU-II cooling unit, the dew point requirement is -80°C (-112°F).

For room temperature work and higher: Dew point of $< 4^{\circ}\text{C}$ (39.2°F).

For low temperature work: The dew point must be at least 20°C (68°F) below the operating temperature.

If a cooling unit is used, then the dew point of the compressed nitrogen should be at least 10°C (50°F) below the temperature at the heat exchanger output.

Solid Impurities:

Use 5 micron filters for high resolution NMR. For MAS probes use 1 micron filters. The filters should retain a minimum of 99.99% of the specified particles.

VT Nitrogen Gas Quality

Proton Frequency (MHz)	Purity (volume percentage)
500	≥ 95
600-800	≥ 96
900-1200	≥ 97

Table 8.3: VT Nitrogen Gas Quality (500 MHz and above)

8.3.4 Compressed Air System

When designing a suitable compressed air system, the following points must be taken into consideration:

- To prevent magnetic impurities from entering the magnet use only copper or stainless steel lines. Do not use iron or steel pipes. Plastic piping is unsuitable where very low dew points are required. Water vapor in the air will permeate plastic piping limiting minimum dew points to typically -25°C .
- To avoid surges in the air pressure (e.g. during sample lift) install a container of 10-20 liters in the air supply line to act as a buffer. Locate the buffer after the dryers in the supply line. **Buffer containers** must meet the appropriate safety requirements. They must have a working pressure of 16 bar and be proofed up to 30 bar. Use tanks which are internally coated with water and acid resistant material. This will prevent corrosion from impurities such as SO_2 .

The three major components in a suitable compressed air supply line include the compressor, dryer and appropriate filters:

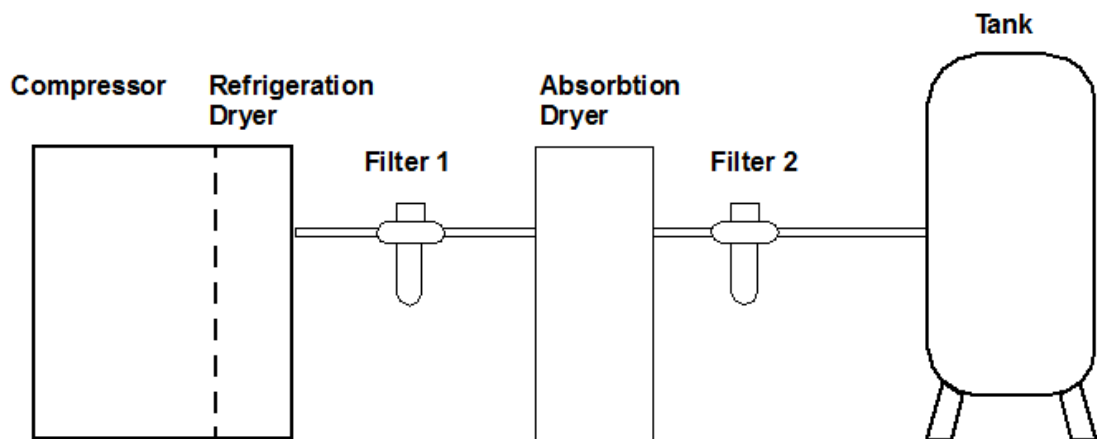


Figure 8.3: Example of a Typical Dryer/Filter System Setup

Filter 1:	General purpose liquid and dust removal filter (0.1 mg/m^3 - 0.1 ppm , 1 micron).
Filter 2:	High-efficiency dust, liquid and aerosol filter (0.1 mg/m^3 - 0.01 ppm , 1 micron).

When using a dryer/filter system setup, the following questions should be addressed:

- Pressure loss in piping?
- Efficiency loss in dryer?
- Pressure loss in filter?
- What is the required pressure?
- What is the required flow rate?

8.3.4.1 Air Compressors

When choosing an air compressor the following points should be considered:

- Ideally the compressor should be installed in a **dust free**, cool (use air conditioning as required) and dry place.
- The compressor must be **oil-free**. This can be achieved by using membrane or Teflon coated piston and scroll compressors. The compressor should be fitted with a fine dust inlet filter.
- The compressor must be capable of delivering the required flow rate and pressure suited to your particular system (see Compressed Gas Requirements). Generally the compressor should be large enough so it does not run continuously (e.g. > 50% of the time), which will cause overheating.
- The extra cost of choosing an oversized system may often be justified. The reduction in duty cycles will lower maintenance costs and extend the life of the system. A suitable compressor coupled to an adequate buffer will ensure a more **constant flow rate** leading to better performance. When spinning, the system uses a constant flow of air, but surges will occur during sample lift.
- Take into account the **pressure loss** along the line between the compressor and the final gate valve. The pressure drop depends on the pipe diameters. An internal diameter of 8 mm has been found to be suitable. The plastic tubing used to carry the supply from the final gate valve to the console has an outside diameter of 8 mm and is supplied by Bruker.
- Some types of **dryers**, e.g., absorption dryers can use up to 25% of the air flow to regenerate the drying material. If this type of dryer is used then the output capacity of the compressor must be sufficient to supply this requirement.
- Many compressors are fitted with dryer and a tray to collect **excess water**. Regular checking of the dryer and emptying of the water collector will ensure trouble free operation. This arrangement is quite satisfactory in environments with normal humidity (< 80%). However in areas of higher humidity (> 80%) a cooling coil with an automatic water drain must be fitted to the compressor outlet. This will ensure that filters do not become overloaded.
- Although not directly concerned with air quality, compressors are a **source of vibrations** which may interfere with NMR performance. You should consider using a compressor fitted with a vibration damping housing if it is to be situated close to the spectrometer. The output noise level should be < 75 dBA.

8.3.4.2 Dryers

Refrigeration Dryers

This type of dryer removes moisture from gas by cooling to within a few degrees of the freezing point of water. The condensed moisture is removed in a separator and drain trap mechanism located immediately downstream of the dryer. This drain should be valve switched automatically.

Advantages

- None of the compressed gas is wasted in regeneration which is more suitable if the capacity of the compressor is marginal.
- Maintenance free.
- Not as susceptible to oil mist contamination as adsorption dryers, thus do not have the same need for pre-filters.

Disadvantage

- These type of dryers are limited because of their inability to produce very low dew points. The recommended dew point for room temperature work of 4°C is only just achievable. Therefore if low temperature NMR is to be carried out, this type of dryer is unsuitable.

Absorption Dryers

The air is passed through cartridges of synthetic zeolite known as Molecular Sieves. The sieves are hygroscopic and retain water molecules when air is passed through them. Two sieves are normally used alternately. A portion of the dry air output of sieve A is fed into sieve B to regenerate it. The amount used in regeneration is typically 15% but up to 25% may be required for very low dew points. The process is automatically reversed at regular intervals with the output of sieve B used to regenerate sieve A.

Advantages

- Much lower dew points are achievable compared to refrigeration dryers.
- Automatic Regeneration: Normally the sieves will last for many years if they do not become contaminated with oil, e.g. from mist in the air.
- The drying agent may be easily replaced.

Disadvantages

- Up to 25% of throughput is used to achieve the automatic regeneration.
- Requires the use of more dust filters.
- Filters at the input (oil < 0.01 mg/m³) are required due to the susceptibility to oil contamination from mist in the air.
- The use of absorption dryers may lead to the generation of dust and so the dried air output must be fed through an appropriate filter (1 micron).
- These dryers require more maintenance than refrigeration dryers.
- They can be noisy when switching between the two cartridges.
- Due to the different absorption rates of nitrogen and oxygen the **N₂/O₂ composition** may change. To prevent this, an absorption dryer should be placed between the compressor and buffer tank.

8.3.4.3 Filters

Micro-filters must be fitted as the last element in the supply line. For specification see the section [Other Specifications \[▶ 66\]](#).

Absorption dryers are prone to oil contamination and as such the input must be fitted with a oil filter (oil < 0.01 mg/m³ 99.9% removal efficiency). To protect the dryers, regardless of type, you are advised to install a water filter and an oil filter between the compressor and the dryer. Adsorption dryers may generate dust and may need extra dust filters at the output.

The output of refrigeration dryers must be fed through a carbon activated filter.

Water filters must be fitted with automatic water drains as opposed to manual drains. The use of valve switched drains is strongly recommended. Floater switched drains have a tendency to become jammed and hence require regular maintenance.

If you are particularly concerned about oil contamination in the air supply then you must consider using a submicron filter followed by an activated charcoal filter as this combination is particularly effective in removing oil.

8.4 Liquid Nitrogen Requirements

Purity of Liquid Nitrogen

Bruker has no specification for the quality of the liquid nitrogen. Inhouse we are using a purity of >99.9 %. There are no field gradients known because of the para-magnetism of oxygen. Nitrogen and oxygen are fully mixable over the whole concentration range.

Liquid nitrogen has a lower boiling point at -196 °C (77 K) than oxygen's -183 °C (90 K), and vessels containing liquid nitrogen can condense oxygen from air. When most of the nitrogen has evaporated from such a vessel, there is a risk that liquid oxygen remaining can react violently with organic material. Conversely, liquid nitrogen or liquid air can be oxygen-enriched by letting it stand in open air; atmospheric oxygen dissolves in it, while nitrogen evaporates preferentially.

A few percent of oxygen in the liquid nitrogen vessel will only give a minor temperature increase of the boiling point and will thus not increase the helium loss. With the higher boiling point the amount of oxygen will increase over the time.

Small nitrogen liquefiers will achieve a nitrogen content of >98 %. When using such a quality of nitrogen it is recommended to check the content of oxygen in the nitrogen vessel regularly. To limit the oxygen content it is advisable to refill when the nitrogen vessel is at least half empty. To get rid of the oxygen completely, wait until the liquid has evaporated before refilling. Be aware when only the helium has to cool the magnet coil the boil off will be about 40 times higher.

Refer to the chapter [Safe Handling of Cryogenic Substances \[▶ 16\]](#) for important information on the safe handling of liquid nitrogen.

8.5 Cooling Water

If the system is equipped with the CryoProbe option and the compressor is water cooled, then cooling water is also needed to remove the ca. 7.5 kW of heat output from the water-cooled type helium compressor used in conjunction with the CryoProbe. The cooling water requirements for the CryoProbe system are found in the chapter [Helium Compressor - Indoor Water Cooled \[▶ 94\]](#).

When the magnet is equipped with a BNL and the water-cooled option, then cooling water is needed to remove the ca. 2.5 kW of heat output from the water-cooled type helium compressor.

8.6 Lighting

Operation is most convenient when the computer monitor(s) may be viewed under subdued lighting. However, normal office lighting will be needed in other areas of the laboratory. The most convenient arrangement is to have separately switchable lights using standard light bulbs. Make sure that reflections from strong artificial light do not fall upon the monitor screen. Care should also be taken to minimize reflections from sources such as windows.

- Do not direct spotlights toward the magnet; this could change the surface temperature.
- Consideration should be given to the relative placement of lights to the air conditioning inputs, which mostly contain the temperature sensors for the air conditioners. Otherwise the switching of lights might result in a system over-reaction and a considerable temperature change.
- Neon lights, choke ballast, and electronic ballast are generally not recommended within a radius of 2 meters from the magnet. LED with DC current are generally not a problem within this range.
- Lights should not be located directly above the magnets, as it may not be possible to service the lights.

8.7 HVAC (Heating Ventilation Air Conditioning)

Constant air pressure, temperature and humidity is crucial for high performance operation. Ideally, an absolute room temperature of between 17-25°C should be kept.

Room should not fluctuate more than +/- 1°C per 24 hours for 300-500 MHz systems, and +/- 0.5°C per 24 hours for 600 MHz and above, near the magnet or cabinets. Even with small changes within this narrow range, it is essential that these are random and there is **no periodicity of temperature changes**.

Air drafts, particularly those created from air conditioning or heating systems, can have negative effects on the magnet, thus the location and orientation of air-diffusers must prevent the air from blowing towards the magnet and spectrometer cabinet. If possible, it is recommended to have the exhaust (air-return) closer to the NMR spectrometer equipment (AVANCE NEO console, UPS, CryoCooling unit, BCU-I) that releases most of the heat output into the space. This would help with removing the heat closer to its sources and ultimately help with the overall temperature stability in the room.

Gradients

The temperature stability guidelines above are essential for a given point in proximity to the magnet or console. Absolute temperature values at different elevations in the room can vary by a much greater tolerance.



Note: When NMR Lock is on and when Autoshim is used, the room should not fluctuate more than +/- 1.5 °C per 24 hours.

The maximum humidity in the lab depends on the room temperature. There are parts on or near the NMR spectrometer and the magnet system (like the nitrogen heat exchangers) which have temperatures of 14...16°C. When the room temperature is 25°C, with a humidity of 80 %, the dew point of this air is at 21.3°C. This means condensation may build up at the heat exchangers of the magnet and other parts like temperature units or shim coils.

Temperature in the NMR laboratory	Maximum humidity for a dew point of					
	11 °C	12 °C	13 °C	14 °C	15 °C	16 °C
17 °C	67.7 %	72.4 %	77.3 %	82.5 %	88.0 %	93.8 %
18 °C	63.6 %	68.0 %	72.6 %	77.5 %	82.6 %	88.1 %
19 °C	59.7 %	63.8 %	68.2 %	72.8 %	77.6 %	82.7 %
20 °C	56.1 %	60.0 %	64.1 %	68.4 %	72.9 %	77.8 %
21 °C	52.8 %	56.4 %	60.2 %	64.3 %	68.6 %	73.1 %
22 °C	49.7 %	53.0 %	56.7 %	60.5 %	64.5 %	68.8 %
23 °C	46.7 %	49.9 %	53.3 %	56.9 %	60.7 %	64.7 %
24 °C	44.0 %	47.0 %	50.2 %	53.6 %	57.2 %	60.9 %
25 °C	41.4 %	44.3 %	47.3 %	50.5 %	53.8 %	57.4 %

Table 8.4: Maximum Humidity in the NMR Laboratory

Conditions other than these may warrant the installation of an air conditioner with appropriate humidity controls.

8.7.1 Heat Dissipation into the Room

Most of the heat dissipated into the room is generated by the system electronics. The magnet itself does not dissipate any heat. The following table details the heat dissipation into the room:

Component	Heat Dissipation into Room
AVANCE NEO OneBay	0.8 kW
AVANCE NEO OneBay with Heightening	0.9 kW
AVANCE NEO TwoBay optimized for solids	1.2 kW
AVANCE NEO TwoBay optimized for MicroImaging Systems	2.6 kW
AVANCE NEO NanoBay	0.7 kW
BCU-I, BCU-II	BCU-I: 0.5 kW, BCU-II: 2.4 kW
Gradient Chiller	0.5 kW
CryoCooling Unit	0.8 kW
He Compressor CryoProbe – indoor water-cooled	0.5 kW - residual
He Compressor CryoProbe - indoor air-cooled	8.5 kW
He Compressor CryoProbe - outdoor air-cooled	0.5 kW
He Compressor BNL - inside water-cooled	0.5 kW - residual
He Compressor BNL - inside air-cooled	2.2 kW

Table 8.5: Heat Dissipation into the Room by Typical AVANCE NEO Systems

8.7.2 System Stability

Air Temperature

The heat dissipation of the magnet system is constant over time. It is essential to minimize or avoid short term oscillations of the HVAC system, and provide a continuous slow flow of air that in turn reduces the speed of any temperature changes. It is recommended to have a continuous and slow exchange of air in the laboratory, hence minimizing fluctuations.

Air Diffuser and Return Ducts

- Avoid any air drafts in the room, especially towards the magnet or system electronics.
- Use low velocity diffusers or a perforated duct (e.g. a duct sock).
- In order to remove heat directly from the source it is recommended placing the air return ducts closer to the rear side of the system electronics.

Atmospheric Pressure Changes

Rapid changes in the temperature may result in atmospheric pressure changes. High atmospheric pressure could reduce the helium boil off if the magnet cryostat is not equipped with an electronic atmospheric pressure device. The boil-off rate could be even lower than the minimum value which could be measured by the flow meter. **Electronic Atmospheric Pressure Devices (EAPD)**, which, for example, holds the pressure at 1030 HPa, stabilize field drift and helium boil-off when changes in atmospheric pressure occur.

The atmospheric pressure device is available as an option for many Bruker magnets, contact Bruker for details.

8.8 Emergency Ventilation During Installation and Quenches

Due to the large amount of liquid helium contained in the magnet, an emergency exhaust system may be required to prevent O₂ depletion during a magnet quench.

Likewise, during the installation, refilling and cooling of superconducting magnets, large volumes of nitrogen or helium gases may be generated under certain conditions. Although these gases are inert, if generated in large enough quantities, they can displace the oxygen in the room causing potential danger of suffocation.

The following table lists the maximum helium capacity and the typical gas flow rates for helium gas during a quench for current magnet systems. Generally, the gas flow rate is equal to half the volume in one minute.

Total Volume of Gas and Maximum Helium Gas Flow

Magnet Type	Total Volume of He Gas (m ³)	Maximum He Gas Flow (m ³ /min.)
300/54 Ascend ULH	83.6	41.8
400/54 Ascend	75.5	37.8
400/54 Ascend ULH	101.4	50.7
500/54 Ascend	62.9	31.5
500/54 Ascend ULH	162.8	81.4
600/54 Ascend	65.2	32.6
600/54 Ascend ULH	261.3	130.6
700/54 Ascend	97.7	48.9
800/54 Ascend	244.2	122.1
ULH = Ultra Long Hold.		

Table 8.6: Total Gas Volume and Maximum He Gas Flow: Standard Bore 54 mm

Magnet Type	Total Volume of He Gas (m ³)	Maximum He Gas Flow (m ³ /min.)
300/89 Ascend	99.9	50.0
400/89 Ascend	75.5	37.8
500/89 Ascend	75.5	37.8
600/89 Ascend	96.2	48.1
700/89 Ascend	153.0	76.3

Table 8.7: Total Gas Volume and Maximum He Gas Flow: Wide Bore 89 mm

Magnet Type	Total Volume of He Gas (m ³)	Maximum He Gas Flow (m ³ /min.)
200/154 Ascend	40.4	20.2
300/154 Ascend	74.8	37.4

Table 8.8: Total Gas Volume and Maximum He Gas Flow: Super Wide Bore 154 mm

Regarding the emergency gas exhaust, important considerations include, but are not limited to, the following:

- **Amount of liquid helium:** Taking the 700/89 Ascend magnet as an example, the total amount of liquid helium is 218 liters. In case of a quench, the liquid transforms into gas and expands by a factor of 740. Therefore, the total amount of helium evaporated gas in case of a quench will be ca. 76.3 m³ (2,695 ft³).
- **Maximum helium gas flow:** The maximum flow of helium gas is calculated on the assumption that half of the volume of liquid evaporates in 1 minute, thus the maximum flow would be 175 m³ (6,180 ft³) for the 750 WB US² magnet. The gas should be removed from the room immediately through an emergency exhaust system.

- **O₂ level sensors:** Oxygen level sensors are required to detect low O₂ levels within the laboratory for each system. One sensor is needed above the magnet for detecting low O₂ levels due to He gas exhaust in case of a quench or during He fills. An additional sensor is needed close to the floor for detecting low O₂ levels due to N₂ gas exhaust during magnet cooling or regular N₂ fills. In case of placing the magnet inside a pit, a third sensor is needed inside a pit to detect low O₂ levels from N₂ gas.

8.8.1 Emergency Exhaust Solutions

In many cases doors and windows will provide sufficient ventilation in larger rooms. It is important to compare the volume of helium gas that would be released after a quench and the space volume of the NMR magnet room, in order to determine the optimum and practical solution for emergency ventilation. In general it is recommended that an emergency exhaust system be installed in smaller rooms, or rooms not connected to the outside. The following exhaust solutions are recommended:

Passive Exhaust

This system is based on louvers in the ceiling, or upper parts of outside walls, that open up due to the pressure of helium gas.

Active Exhaust

In addition, an active system based on a purge fan and exhaust duct close to the ceiling is recommended. This way, adequate exhaust of cryogenic gases will be provided not only during a quench, but also during the initial cooling of the magnet and regular cryogen refills.

Normally it is sufficient to operate this fan manually, as the probability of an unattended quench after the installation is rather low.

If desired, this fan can be operated with an automatic switch:

- It may be connected to the O₂ sensors so it turns on automatically when the O₂ level drops below the safety set point.
- It should be installed in addition to a manual switch.
- Measures should be taken to prevent it from being turned on during a fire.

Quench Pipes

This solution may be needed as a **last resort solution** when the laboratory is small and **any of the other options are not sufficient** to ensure safety after a magnet quench.

This solution is based on a pipe connected directly to the magnet, which is then routed to the outside of the building. It is important to note the following:

- The helium exhaust from the magnet should be vented directly to the outside of the building.
- The ducts should have sufficient diameter to avoid excessive pressure build-up due to the flow impedance of the duct.
- The location of the exit end of the duct must not be accessible to anyone other than service personnel. In addition the exit opening should be protected from the ingress of rain, snow, animals, etc.
- It is also essential that any gas which vents from the exhaust duct cannot be drawn into the air conditioning or ventilation system intakes. The location of the duct's output should be carefully sited to prevent this from happening during any adverse atmospheric conditions and winds.
- Insulation of exhaust piping should also be provided to prevent cold burns and O₂ condensation during a quench.



Please contact Bruker if the implementation of quench pipes is planned!



Figure 8.4: Emergency Quench Pipes

Pits

When a magnet is installed in a pit, it is important to ensure there is continuous air-flow (exhaust) within the pit. This is done to prevent any buildup of nitrogen gas in the confines of the pit. A low exhaust and an additional oxygen sensor down in the pit are recommended. Additional emergency ventilation may also be necessary and the oxygen sensor mounted in the pit should trigger an increased rate of exhaust.

Exhaust for Ceiling Soffits

A soffit is a hole that has been cut in the ceiling to facilitate cryogen fills and/or the magnet installation. Though it is not required to install ventilation in a soffit, it is important to understand that the soffit will be the first area to fill up with helium gas during a quench or during a helium fill. It is important to elicit extra caution in this case.

A passive louver or an exhaust duct with fan are practical solutions when soffits are used. This will prolong the cycle of the magnet between rebuilds, by preventing helium gas build up in the soffit during refills.

Air Conditioning as an Exhaust

It is recommended that the air conditioning system be adequate to dissipate the sudden gas buildup during a quench. In addition the air conditioning must have a safety feature which **draws all the air out** of the room and **brings fresh air** in during a quench, rather than just recirculating the old air through the system. The air conditioning system could, for example, be connected to an oxygen level sensor.

Please contact Bruker for further information on exhaust solutions.

8.9 Fire Detection System and Fire Extinguishers

Rooms containing NMR magnets should be equipped with **temperature sensors** for fire detection. These must respond *only* to a sudden rise of temperature, and not be triggered by a quench (sudden drop of temperature).

Optical smoke detectors cannot discriminate between smoke from a fire and fog from either a helium refill or caused by a quench, so these may not be used. Combined **heat and smoke detectors** are recommended instead.

Fire extinguishers in the vicinity of the magnet room must be **non-magnetic** (stainless steel or aluminum). It is the obligation of the customer to inform the local fire department about the dangers of magnetic fields. These magnets stay at field for a long time even in a most blazing fire!

Ceiling sprinkler heads should be made of metal instead of glass. A quench could falsely trigger the alcohol-filled glass vials, which can shatter in the presence of cold helium gas. Sprinklers should not be located directly over the magnet.

Any sprinkler lines or other metal pipes located above the magnet should be thermally-insulated to prevent O₂ condensation or water freezing in the line from the large amount of cold He gas following a magnet quench.

A **pre-action sprinkler system** is recommended, as it is not loaded with water, but is activated through an interlock mechanism enabling the water to fill the lines in case of a fire.

9 Floor Plan

9.1 Magnet Location

When locating the magnet, certain considerations must be made with regards to the laboratory environment:

- To increase magnet homogeneity, the magnet should be located away from permanent iron structures such as support beams in walls and floors. Reference: [Electromagnetic Interference \[56\]](#).
- To increase temperature stability, the magnet should not be placed in direct sunlight or near any artificial heat source. The magnet should also not be placed under or in close proximity to air-vents or in an area that experiences air drafts. Air should not be blown directly down or towards the NMR magnet.
- When possible, avoid a situation where a significant fringe field ($>5 \text{ G} / 0.5 \text{ mT}$) extends into adjacent rooms.
- There should be free access to the magnet from all sides.

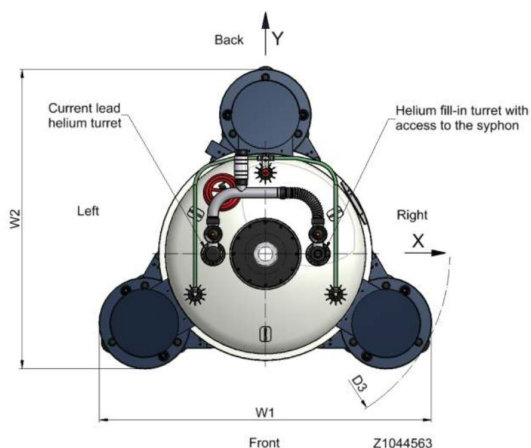


Figure 9.1: Top View of an Ascend Magnet

9.2 Dimensions and Mass of Equipment

The floor of the NMR laboratory must be sufficiently strong to support the magnet, the spectrometer, and other ancillary equipment. The following tables provide the dimensions and weights of equipment, and the footprint and weight of magnets (filled with cryogenes and including stand). The assembly of the magnet system, the magnet energization and refills with liquid helium require additional ceiling height.

Component	Length (m)	Width (m)	Height (m)	Weight (kg)
AVANCE NEO OneBay	0.69	0.83	1.30	230
AVANCE NEO OneBay with Hightening	0.69	0.83	1.58	260
AVANCE NEO TwoBay	1.31	0.83	1.30	340
AVANCE NEO NanoBay	0.45	0.88	0.71	130
Table / Workstation	1.20	1.00	0.75	68
MicroImaging Cabinet	0.69	0.83	1.55	205 / 150
BCU-I	0.50	0.55	0.48	46
BCU-II	0.55	0.59	0.74	74
Prodigy Unit	0.60	0.40	0.46	68
For the CryoProbe option refer to CryoProbe and Other Accessories [91]				

Table 9.1: Dimensions and Weights of NMR Equipment

9.3 Floor Load

The floor must be sufficiently strong to support the mass of the equipment, plus the weight of any installation devices, e.g. hoists etc. The floor must also be as rigid as possible to reduce the effects of vibration.

The overall floor load may be calculated from the total magnet weight distributed over the overall footprint of the magnet.

The magnet is supported by a total of 9 small pads (3 pads per post). The maximum point load may be calculated by the total weight of the magnet distributed over the total contact area of the 9 points. Each pad is circular and has a diameter of 80 mm.

Magnet Dimensions and Mass

The values in the following table correspond to the following figure:

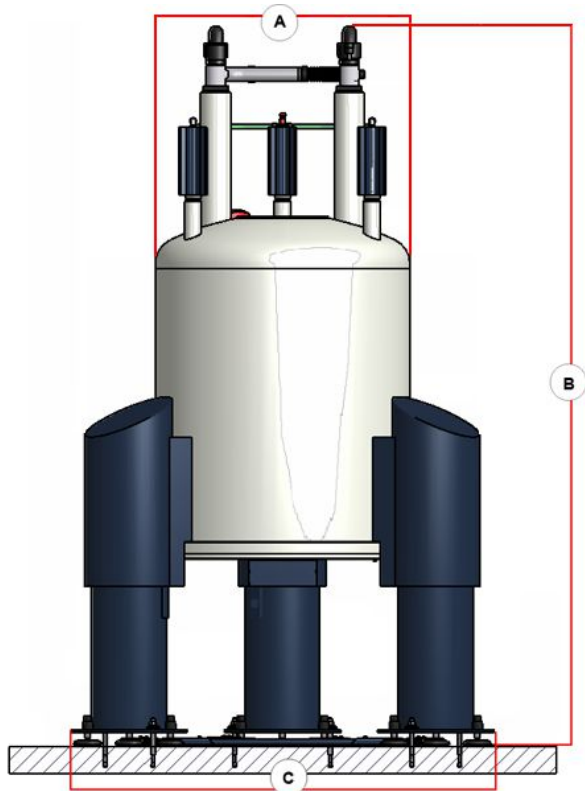


Figure 9.2: Magnet Dimensions

A.	Maximum magnet diameter
B.	Magnet height from the floor, including stand.
C.	Overall footprint diameter
<i>Refer to the Magnet Dimensions and Total Weights table for the values of A, B, and C.</i>	

Floor Plan

Magnet Type	A Maximum Magnet Diameter (m)	B Magnet Height from the Floor Including Stand (m)	C Overall Footprint Diameter (m)	Total Magnet Weight incl. Stand & Cryogenics (kg)*
300/54 Ascend ULH	0.75	2.14	1.40	500
400/54 Ascend	0.75	2.14	1.40	553
400/54 Ascend ULH	0.75	2.14	1.40	600
500/54 Ascend	0.75	2.14	1.40	642
500/54 Ascend ULH	0.90	2.61	1.98	1011
600/54 Ascend	0.75	2.47	1.40	839
600/54 Ascend ULH	1.10	2.84	2.30	1402
700/54 Ascend	0.90	2.61	1.98	1370
800/54 Ascend	1.10	2.84	2.30	2169

* With standard magnet stand, the weight with optional stands will vary. ULH = Ultra Long Hold

Table 9.2: Magnet Dimensions and Weight: Standard Bore 54 mm

Magnet	A Maximum Magnet Diameter (m)	B Magnet Height from the Floor Including Stand (m)	C Overall Footprint Diameter (m)	Total Magnet Weight incl. Stand & Cryogenics (kg)*
300/89 Ascend	0.75	2.54	1.40	578
400/89 Ascend	0.75	2.54	1.40	755
500/89 Ascend	0.75	2.72	1.40	847
600/89 Ascend	0.90	2.86	1.98	1404
700/89 Ascend	1.04	2.99	2.29	~2151

* With standard magnet stand, the weight with optional stands will vary.

Table 9.3: Magnet Dimensions and Weight: Wide Bore 89 mm

Magnet	A Maximum Magnet Diameter (m)	B Magnet Height from the Floor Including Stand (m)	C Overall Footprint Diameter (m)	Total Magnet Weight incl. Stand & Cryogenics (kg)*
200/154 Ascend	0.75	2.85	1.40	792
300/154 Ascend	0.75	2.85	1.40	792

Table 9.4: Magnet Dimensions and Weight: Super Wide Bore 154 mm

9.4 Floor Types

Generally a **liquid nitrogen resistant floor material** must be used, such as PVC or wood that has been painted or varnished. Unfinished wood must not be used as this will absorb liquid nitrogen. This also implies that wood floors must be regularly maintained to help prevent absorption.

Many of the system components contain highly sensitive electronic devices that must be protected from **Electrostatic Discharge (ESD)** by proper floor covering and grounding practices.

To prevent ESD damage in the magnet room, the system must be installed on an ESD resistant flooring such as vinyl, and properly grounded. One of the most important characteristics of an **ESD resistant floor** is its ability to conduct charges to ground. The second most important aspect is its **anti-static property**.

9.5 Magnet Pits

When the magnet must be sited in an existing magnet pit, pay attention to the following:

- Special rigging equipment and a temporary platform to support and lower magnet inside the pit.
- Continuous ventilation and emergency exhaust inside the pit (please refer to special notes related to pits in sections [HVAC \(Heating Ventilation Air Conditioning\) \[▶ 71\]](#) and [Emergency Ventilation During Installation and Quenches \[▶ 73\]](#)).
- Magnet refills and access for transport dewars.
- Cable lengths.
- Siting the BCU-I or BCU-II cooling unit.
- Siting the CryoPlatform™.

Consult your local Bruker Installation Engineer for details.

9.6 Magnet Platform

For smaller magnet systems, ladders and small platforms are most commonly used to facilitate sample insertion, cryogen fills, etc.

Ladders for platforms must be constructed of wood or aluminum to keep magnetic interference down to a minimum.

If climbing a ladder is not a feasible option, a magnet platform may be required. These are typically built to facilitate sample insertion on the larger systems (600 MHz and up), however smaller platforms can be used on smaller systems.

The platform must be constructed of wood or other non-magnetic material. It must accommodate the magnet and provide safe access for sample insertion and cryogen fills. Consult your Bruker office for further guidelines when using a magnet platform.



Figure 9.3: Example of a Simple Magnet Platform

9.7 Helium Flex Lines

The purpose of the helium flex lines is to transport the helium gas from the compressor to the cold head and back. The flex lines are isolated and are usually placed on the floor.

- The preferred route is to keep the helium flex lines at floor level. The lines exit the rotary valve column close to the floor, and continue to the compressor. The minimum bending radius of 50 cm must be respected.
- It is always important to route the lines such that tripping hazards and obstructions are avoided, and to protect the physical integrity of the flex lines at all times.

9.8 Maximum Field Strengths for NMR Equipment

Once the location of the magnet has been decided, it is time to determine where the remainder of the equipment will be placed. Protection of motors and electronics from magnetic fringe fields is crucial.

Unit	Maximum Field Strength
AVANCE NEO cabinet	1.0 mT (10 G) line
BCU-I	5.0 mT (50 G) - max. 2.7m from magnet center
BCU-II	5.0 mT (50 G) - max. 2.7m from magnet center
LCD computer monitor*	1.0 mT (10 G)
Computers e.g. NMR workstation, PC	0.5 mT (5 G)
Printer, plotter	0.5 mT (5 G)
CryoProbe system components (e.g. He compressor, He steel cylinder and its transport path)	0.5 mT (5 G)
CryoCooling unit	5.0 mT (50 G)
Gas cylinders	0.5 mT (5 G)
Heavy metal office furniture e.g. filing cabinet**	0.5 mT (5 G) - not recommended in magnet room
Movable metal chair	Not recommended in magnet room
* The working place for personnel should be outside the 0.5 mT (5 G) line. An additional LCD monitor and keyboard can be located at the 1.0 mT (10 G) line for probe adjustments etc.	
** Use wooden furniture if access during critical measurements is required.	

Table 9.5: Maximum Field Strength for NMR Equipment

9.9 Cabinet Position

The various units within the AVANCE NEO cabinet, especially the acquisition computer, must be kept at a minimum distance from the magnet. Protection of the acquisition computer and digital electronics from the magnet's fringe field is best achieved by positioning the cabinet so that the acquisition computer is no closer than the 1.0 mT (10 G) line. Any ancillary cabinets such as microimaging must also be placed outside the 1.0 mT (10 G) line. To allow adequate ventilation for the cabinet, it must be positioned no closer than 30 cm from the back of the cabinet to any walls. For service access to the rear, there must be sufficient space for the cabinet to be pulled out from the wall. For ease of cabling, locate electrical outlets and compressed air supply close to the rear of the cabinet.

9.10 Worktable Position

Magnetic storage devices are sensitive to the fringe field and attention must be given to their position relative to the magnet.

- The workstation and additional disks, are normally placed on the worktable, and should not be exposed to fields greater than 1.0 mT (10 G).
- For convenience of operation, no direct light should fall on the LCD panel, nor should there be a strong light source at the back of the panel. A separate dimmer or at least partial switching is recommended for the lights in the worktable area.

9.11 Service Access Requirements

The following recommendations will ensure that there is sufficient space for accessing the system, as well as providing adequate ventilation:

- Ventilation: A minimum of 30 cm must be left between the back of the cabinet and any wall to ensure proper ventilation.
- Service access - AVANCE NEO: Sufficient space (~ 60 cm) must be left in front of the AVANCE NEO so the cabinet may be pulled away from the wall for service. Service access to the sides is not required.
- Service access - Magnet: There must be enough space between the magnet legs and the wall such that a service person can walk all the way around the magnet. Also, when refilling the cryogen levels, large dewars must be brought close to the magnet. Ensure that the magnet room is suitably spacious to allow easy access for the dewars. If a platform is not used then there must also be enough room for a ladder. As a rule of thumb the magnet must be accessible over at least half of its circumference for a radial distance of 2 m from the side of the magnet and be no closer than 0.8 m to the nearest wall.

The following are miscellaneous, but important things to think about when creating a workable floor plan:

- For ease of cabling, locate electrical outlets and compressed air supply close to the rear of the cabinet and by the magnet.
- The door to the magnet room must be easily accessible from all parts of the room. It is advantageous to have the doors located so that traffic through the room does not approach the magnet. The door to the magnet room should swing out to allow for a rapid and easy exit in case of an overpressure from cryogenic gases.
- As a rule gas cylinders must be stored outside the room. If for any reason they must be placed in the magnet room located as far away from the magnet as possible and secured properly to a wall well outside the 5 Gauss.
- Ensure that convenient and safe pathways are available so that cryogen transport dewars can easily be moved into and out of the magnet room. This includes making sure that the cryogen dewars do not run over cabling, and that the equipment/furniture is located to allow for access.
- Make provision for sample/solvent preparation and storage space, documentation storage space, personal computers, printer/plotter tables, workstations etc.
- Under no circumstances should movable office chairs made of magnetic material be used in the laboratory.
- Make provision for installing a telephone and lines for, e.g. Internet access. It is most convenient if the operator can use the phone while sitting at the spectrometer worktable.

Finally, before a final layout is decided, consider future equipment that may need to be installed. Remember that once installed, the magnet must not be moved.

9.12 Layout Examples

The following layout examples of some NMR systems include the equipment and utilities. A description of each of the NMR system components is presented in the chapter [System Components \[21\]](#), while the details regarding the utility requirements are presented in the chapter [Utility Requirements \[61\]](#).

If a CryoProbe System is planned, be sure to refer to [CryoProbe and Other Accessories \[91\]](#) for specific information on CryoProbe site requirements.



Figure 9.4: Ascend 400 Layout Example

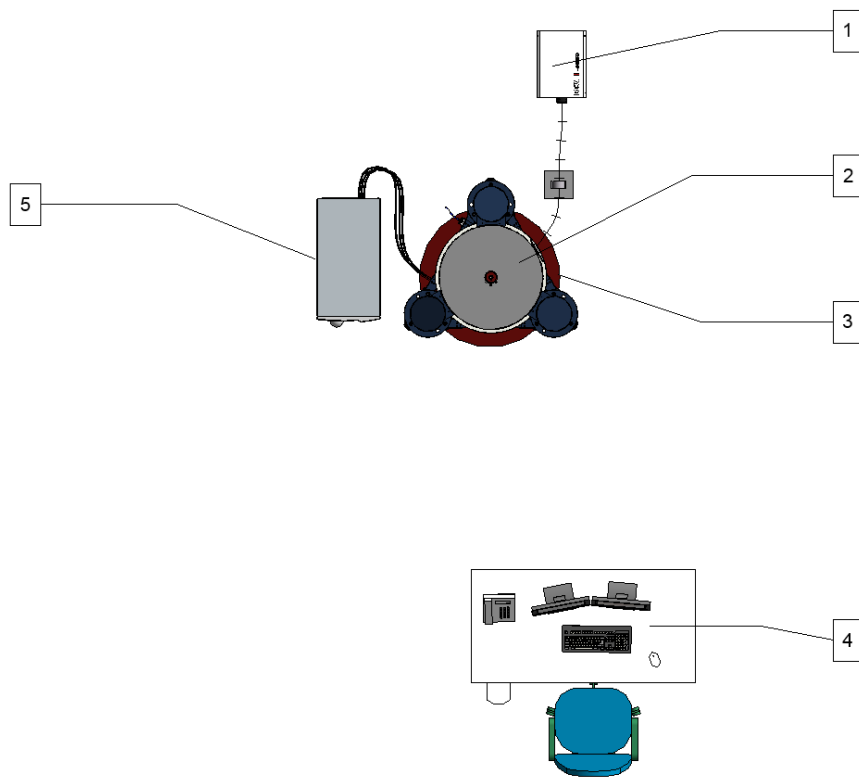


Figure 9.5: Top View of the Ascend 400 Magnet

1	Temperature Control Unit BCU I	4	Operator Desk
2	Magnet System	5	AVANCE NEO Console
3	0.5 mT (5 Gauss) Line		

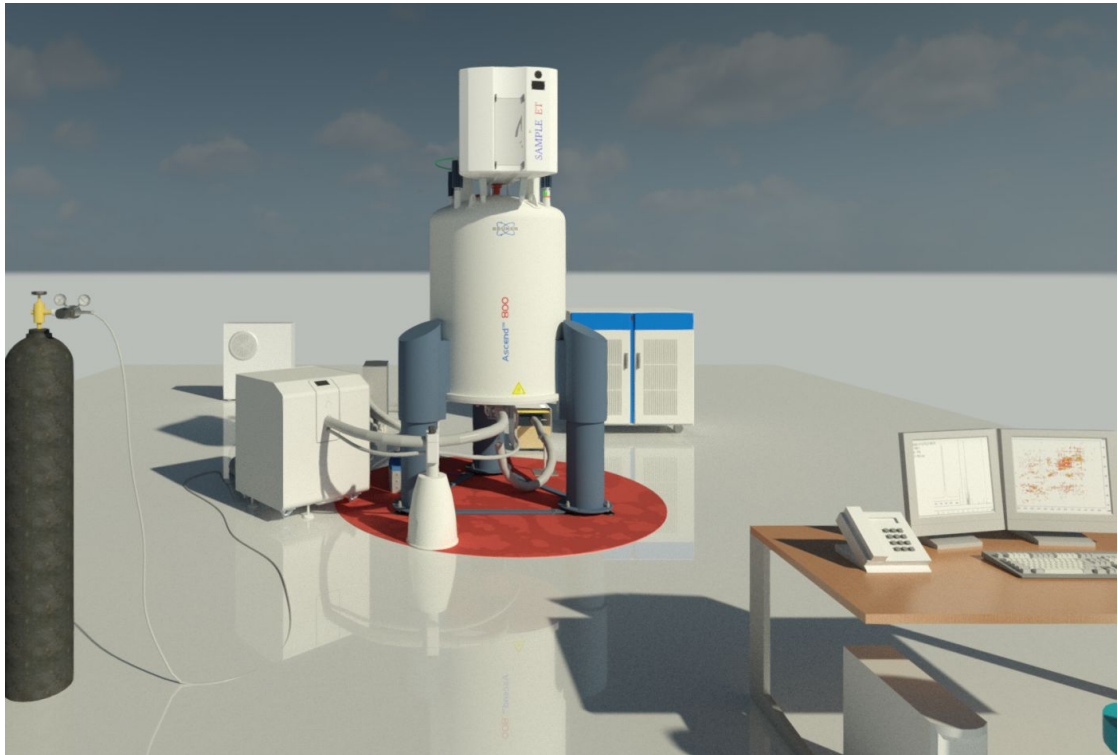


Figure 9.6: 800 MHz Layout Example

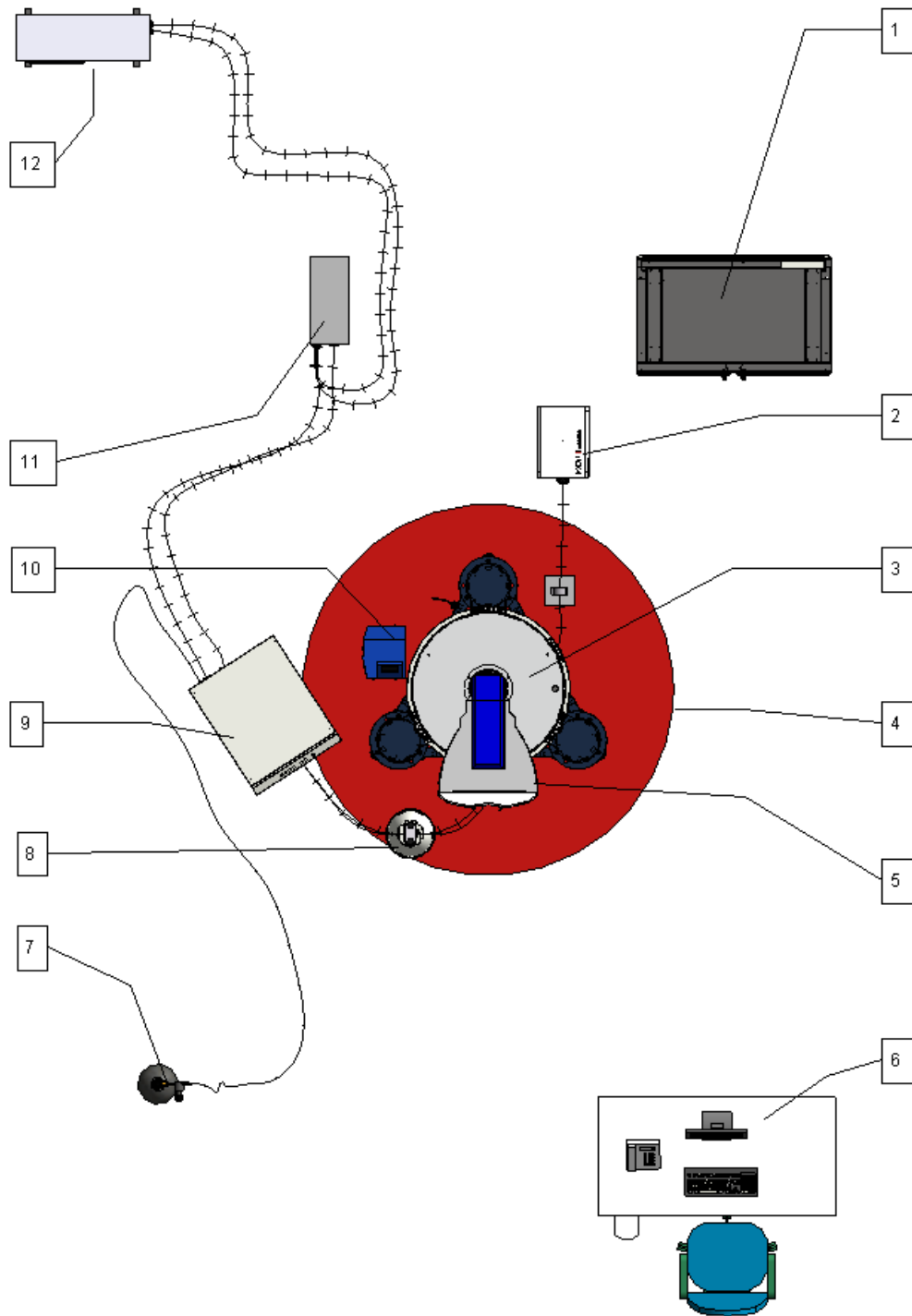


Figure 9.7: Top View of the Ascend 800 Magnet

1	AVANCE NEO Console	7	He Gas Cylinder 6.0 for CryoPlatform
2	Temperature Control Unit BCU I	8	Damping Post for CryoProbe Transfer Line
3	Magnet System	9	CryoPlatform
4	0.5 mT (5 Gauss) Line	10	Preamplifier
5	Sample Changer	11	He Compressor Air Cooled Version
6	Operator's Desk	12	Outdoor Heat Exchanger Air Cooled

10 CryoProbe and Other Accessories

The CryoProbe accessory for the AVANCE NEO NMR Spectrometers offers dramatic increases in signal to noise ratio (S/N) by reducing the operating temperature of the NMR coil assembly and the preamplifier.

The CryoProbe accessory consists of two major components: the CryoProbe and the CryoPlatform. The CryoProbe is similar to a standard probe, however contains cryogenically cooled RF coil and electronics. The CryoPlatform, which provides cryogenic cooling for the CryoProbe, is made up of:

- CryoCooling Unit with control electronics.
- Helium Compressor (along with any associated cooling equipment).
- Helium Gas Cylinder (for purging of the CryoProbe).
- Helium transfer lines and transfer line support.

The CryoCooling Unit must be sited adjacent to the magnet, whereas the Helium Compressor and Helium Gas Cylinder may be sited remotely. The first step in the site planning involves review of the magnet area to determine if floor space is available to accommodate the CryoCooling Unit. The CryoCooling Unit is optimally located level with the magnet. Other configurations, such as magnet pits that can not accommodate the CryoCooling Unit, require special consideration.

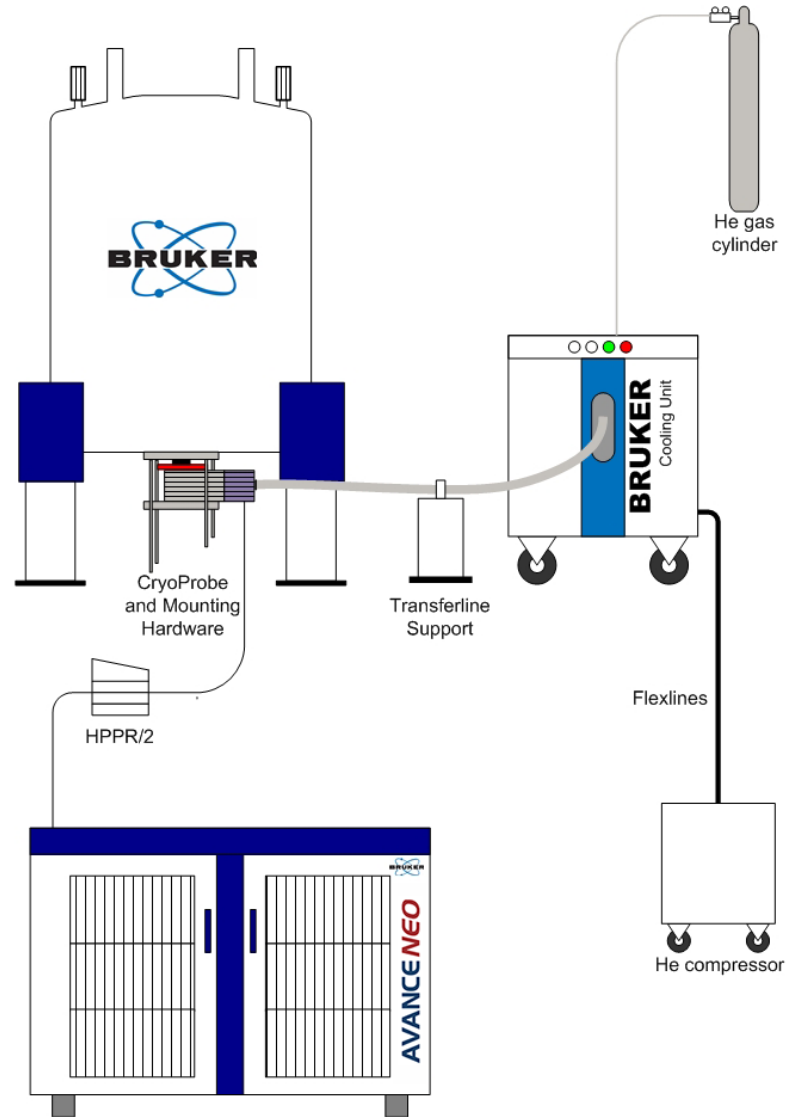


Figure 10.1: CryoProbe System Overview

Refer to the layout examples for more information.

10.1 CryoCooling Unit

The CryoCooling Unit (CCU) is installed adjacent to the magnet outside the 50 Gauss (5 mT) line. The shim cable must be 180° from the CryoProbe front plate. The shim stack may be rotated if necessary.

Dimensions:	Width: 73 cm Depth: 74 cm Height: 97 cm
Weight:	400 kg
Voltage: Required external fuse upstream:	230 V AC +/- 10%, 1 phase, 50-60 Hz. T 10 A (T = time-lag fuse)
Power consumption:	Peak 0.8 kW Average 0.5 kW (systems produced before June 2005: peak power of 1.5 kW)
Acoustic noise:	Maximum 61 dB(A) 2 meters distant
Maximum room ambient temperature:	30°C. No operation above this temperature is approved.
Helium gas supply:	A high purity helium (He) gas cylinder (6 N = 99.9999% or better, maximum impurity concentration 1 ppm).
Compressed air or nitrogen supply:	With a pressure of > or = to 4.5 bar.
Position:	Outside 50 Gauss (5 mT) fringe field.

Table 10.1: CryoCooling Unit Specifications

10.2 Helium Compressors

The next step in the site planning for a CryoProbe accessory involves determining the type and location of the helium compressor. Since the helium compressor generates a considerable amount of heat (7.5 kW average, 8.5 kW peak), it must be cooled to prevent overheating. Bruker offers both water cooled and air cooled helium compressors. In either case, placing the compressor in a remote room (allowing He gas flex lines up to 20 m to reach the CryoCooling unit) or an enclosure will keep the noise of the unit out of your laboratory. Outdoor helium compressors may be sited at increased distances allowing He gas lines up to 40 m to reach the CryoCooling Unit.

10.2.1 Available Models

Three models of helium compressors are currently available. All the compressors must be sited outside the 5 Gauss (0.5 mT) line, generate the same amount of heat (7.5 kW average) and have the same power requirements (3 Phase, 208 V). The correct helium compressor for your laboratory may be determined based on the desired location for the unit (indoor, outdoor, and distance from the CryoCooling Unit) and the availability of a chilled water supply. Helium transfer lines connect the helium compressor to the CryoCooling unit and are available in several different lengths as shown below.

10.2.1.1 Helium Compressor - Indoor Water Cooled

- Requires chilled water source (supplied by customer) with a flow and temperature within the specified admissible ranges shown in the plots below. It is important that not only the temperature stays below the maximum temperature threshold but also the flow is not greater than the upper threshold shown. Caution: Do not use demineralized or deionized water.
- The water supply and return lines to the He compressor should be fitted with temperature, flow, and pressure gauges that are visible. The water hoses from the water lines to the He compressor should be 3/4" in size. These hoses are not supplied with the CryoProbe system, and are to be provided by the customer.
- It is recommended to isolate the cooling water loop for the He compressor from the building water system by using either a refrigerated chiller or a water-water heat exchanger. If building cooling water is not available, an air-cooled indoor or outdoor chiller may be used.

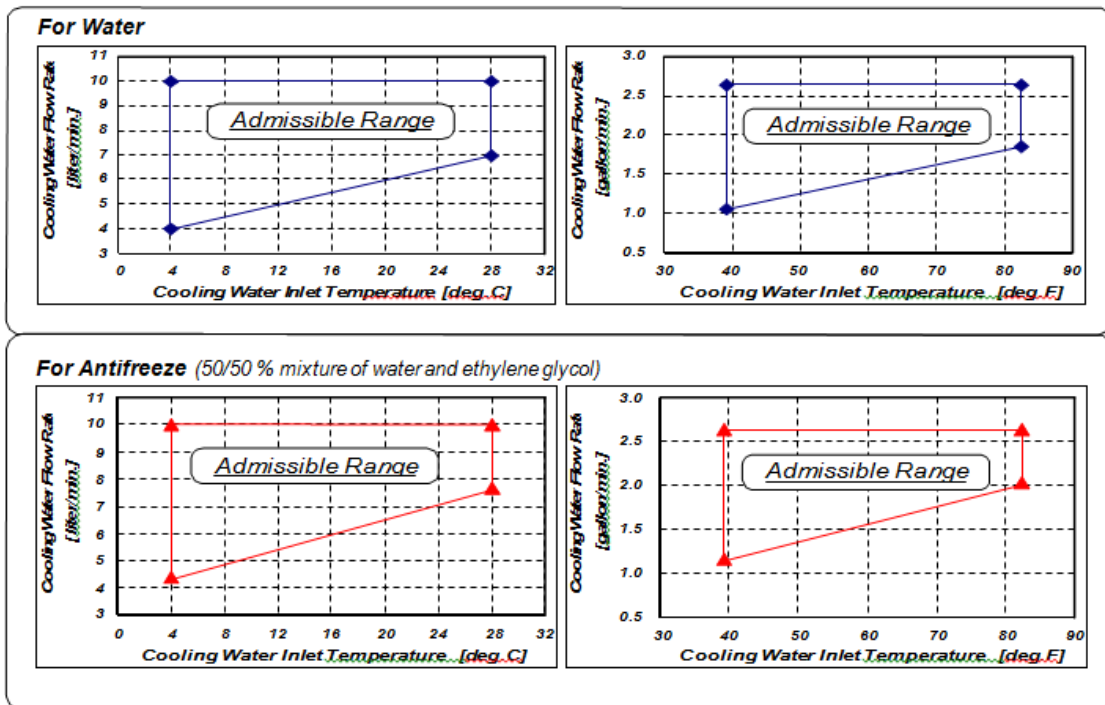


Figure 10.2: Admissible Ranges for the Temperature and Flow of the Cooling Water.

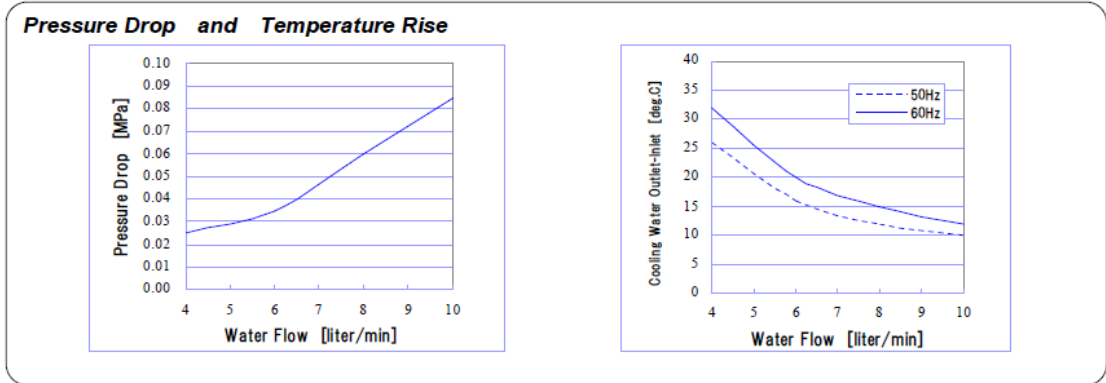


Figure 10.3: Cooling Water Typical Flow Characteristics

Characteristics	Inlet Temperature Range [°C] (°F)	[4.0 ~ 28.0] (39.2 ~ 82.4)
	Inlet Pressure Range [MPa] (psig)	[0.10 ~ 0.69] (14.5 ~ 100)
	Flow Rate [liter/min.] (gallon/min.)	[4.0 ~ 10.0] (1.1 ~ 2.6)
	Pressure Drop [MPa] (psig)	[0.025 ~ 0.085] (3.55 ~ 12.1)
	Heat Output [kW] (BTU/Hr) into the water (residual of 0.5 kW into air)	<Steady State> [< 6.5] (< 22180) for 50Hz [< 7.5] (< 25590) for 60Hz <Maximum> [< 7.2] (< 24570) for 50Hz [< 8.3] (< 28320) for 60Hz
Quality	pH Value	6.5 to 8.2 at 25 °C (77 °F)
	Electrical Conductivity	< 80 mS / m
	Chloride Ion	< 200 mg/liter
	Sulfate Ion	< 200 mg/liter
	M-Alkalinity	< 100 mg/liter
	Total Hardness	< 200 mg/liter
	Calcium Hardness	< 150 mg/liter
	Ionic Silica	< 50 mg/liter
	Iron	< 1.0 mg/liter
	Copper	< 0.3 mg/liter
	Sulfide Ion	None, Not detectable
	Ammonium ion	< 1.0 mg/liter
	Residual Chlorine	< 0.3 mg/liter
	Free Carbon Dioxide	< 4.0 mg/liter
	Stability Index	6.0 to 7.0
Suspended Matter	< 10 mg/liter	
Particle Size	< 100 µm	

Table 10.2: Cooling Water Specifications

- Ambient operating temperature 5–28 °C.

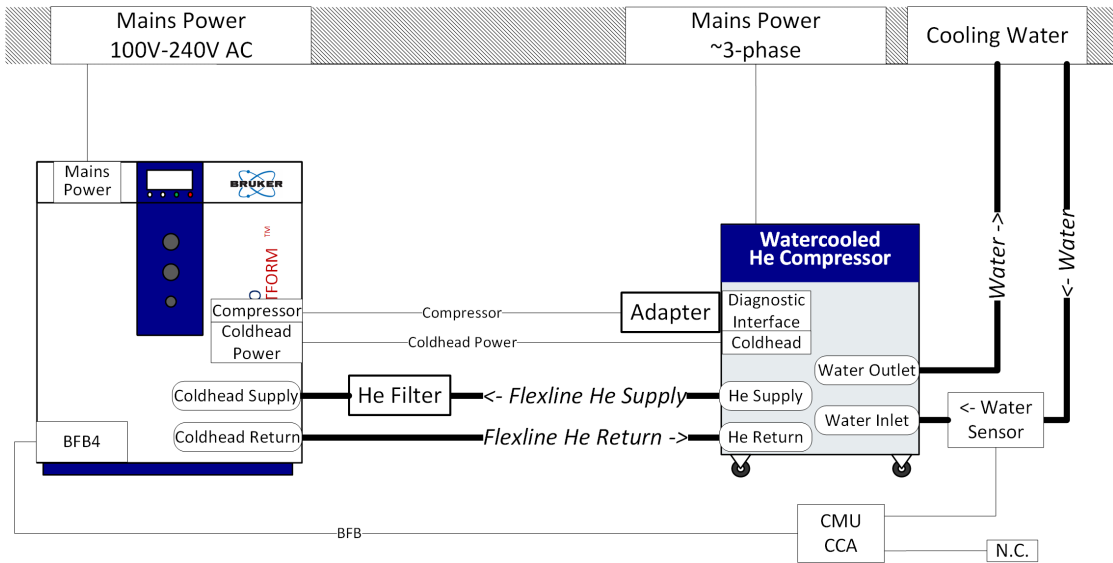


Figure 10.4: Helium Compressor - Indoor Water Cooled

10.2.1.2 Helium Compressor - Indoor Air Cooled

- The room air handling system must be able to dissipate 7.5 kW of heat.
- Siting this helium compressor in the same room as the NMR is not recommended.
- Ambient operating temperature 5–28 °C.

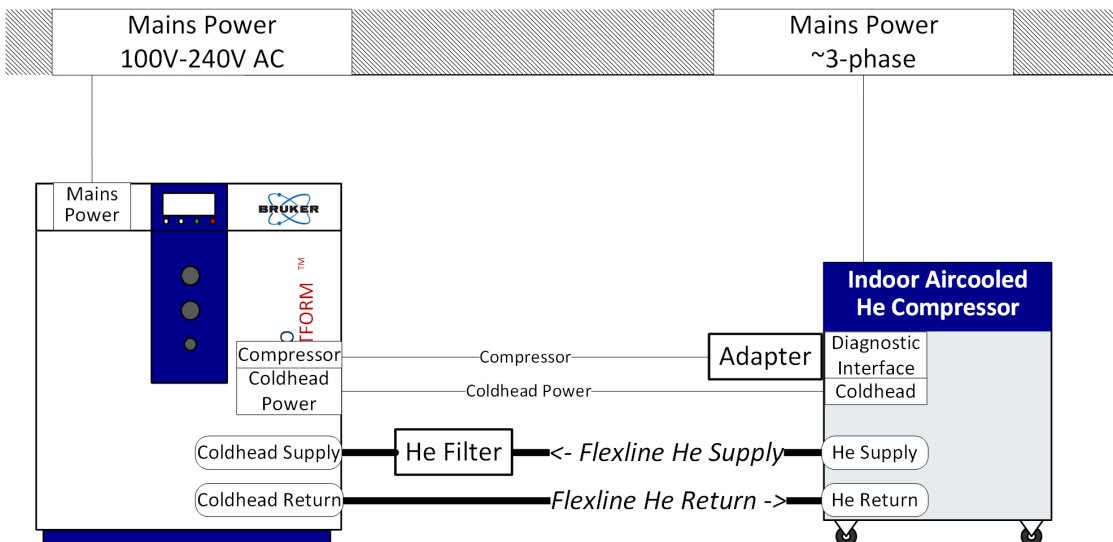


Figure 10.5: Helium Compressor - Indoor Air Cooled

10.2.1.3 Helium Compressor - Outdoor Air Cooled

- The Outdoor Air Cooled helium compressor consists of an Outdoor Unit and an Indoor Unit.
- The outdoor unit is specified to operate between the temperatures of $-30\text{ }^{\circ}\text{C}$ to $45\text{ }^{\circ}\text{C}$.

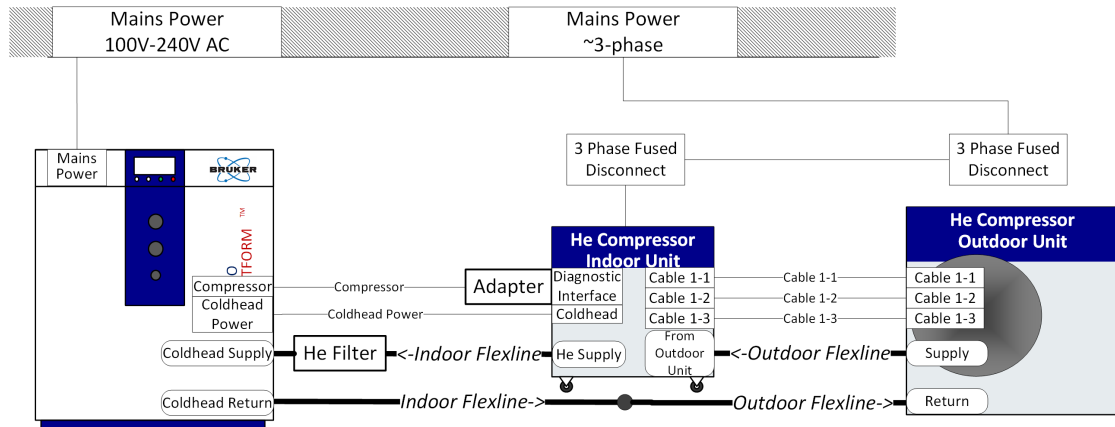


Figure 10.6: Helium Compressor - Outdoor Air Cooled

10.2.2 Space Requirements and Specifications

10.2.2.1 Indoor Helium Compressors

The indoor helium compressors (air or water cooled) have space requirements to allow for airflow and servicing the unit. The minimum room space needed is 1.25 m (width) x 0.8 m (depth) x 0.7 m (height).

Sumitomo Type:	F-50L	F-50H	CSA-71A
Type of Compressor:	Water-cooled	Water-cooled	Air-cooled
Dimension:	Width: 45 cm Depth: 48.5 cm Height: 59.1 cm	Width: 45 cm Depth: 48.5 cm Height: 59.1 cm	Width: 55 cm Depth: 55 cm Height: 88.5 cm
Weight:	120 kg	120 kg	140 kg
Voltage:	3 x 200 V @ 60 Hz	3 x 400 V (380, 400, 415 @ 50 Hz, or 460, 480 @ 60 Hz)	3 x 200 V @ 50/60 Hz US no plug supplied
Mainly delivered to:	USA/CA/JP	EU/CH	USA/CA/JP
Operating Current:	26 A	13 A	25 A
Minimum Circuit Ampacity:	35 A	17 A	35 A
Maximum Fuse Size:	60 A	30 A	60 A
Compressor LRA:	160 A	75 A	100 A
Power Requirements			
Minimum:	9 kVA	9 kVA	9 kVA
Recommended:	12 kVA	12 kVA	12 kVA

Sumitomo Type:	F-50L	F-50H	CSA-71A
Power Consumption Cool Down max. 50/60 Hz: Steady State max. 50/60 Hz:	7.2/8.3 kW 6.5/7.5 kW	7.2/8.3 kW 6.5/7.5 kW	7.2/8.3 kW 6.5/7.2 kW
Water supply to remove the heat load (cooling power > 8.3 kW):	Flow: 420 l/hour Temperature: 4-28°C Water Quality: PH 6.5-8.2 Hardness: mg[CaCo3]/l < 200 Molybdate-reactive silicate: < 50 mg/l Suspended matter: < 10 mg/l Maximum pressure: < 7 bar (100 PSI)		---
Helium Gas Supply:	A high purity helium (He) gas cylinder (6 N = 99.9999% or better, maximum impurity concentration 1 ppm).		
Acoustic Noise:	Maximum 60 dB(A), 2 meters distant.		
Ambient Operating Temperature:	5 to 28°C (41 to 82.4°F)		30°C

Table 10.3: Technical Data for Indoor Compressors

10.2.2.2 Outdoor Helium Compressors

The outdoor helium compressor has an outdoor and an indoor unit. Each component has space requirements for airflow and servicing.

The **indoor** component requires a space of 0.5 m (width) x 1.3 m (depth) x 1 m (height).

The **outdoor** component requires a space of 1.4 m (width) x 1.7 m (depth) x 1.25 m (height), and should be sited on a concrete slab.

Sumitomo Type:	F-70H (Europe)	F-70L (USA)	CNA-61D
Type of Compressor:	Air		Air
Dimension:	Width: 93 cm Depth: 33 cm Height: 92 cm	Width: 93 cm Depth: 33 cm Height: 92 cm	Width: 91 cm Depth: 40 cm Height: 105 cm
Weight:	142 kg	142 kg	115 kg
Voltage:	3 x 460-480 V @ 60 Hz 3 x 380/400/415 V @ 50 Hz	3 x 200 V @ 50/60 Hz	3 x 400 V @ 50 Hz
Mainly delivered to:	EU/CH	USA/CA/JP	EU/CH
Operating Current:	13 A	30 A	13 A
Minimum Circuit Ampacity:	20 A	40 A	30 A
Maximum Fuse/Circuit Breaker Size:	30 A	60 A	30 A
Compressor LRA:	13 A	30 A	74 A

Sumitomo Type:	F-70H (Europe)	F-70L (USA)	CNA-61D
Power Consumption Cool Down max. 50/60 Hz: Steady State max. 50/60 Hz:	<8.0/<9.0 kW 6.9-7.2/7.9-8.2 kW		8.0/9.2 kW 7.5/8.5 kW
Acoustic Noise:	Maximum < 75 dB(A) at 1m, outdoor unit only.		
Ambient Operating Temperature:	-30 to 45°C (-22 to 112°F)	-30 to 45°C (-22 to 112°F)	-30 to 45°C (-22 to 112°F)

Table 10.4: Technical Data for Outdoor Compressors

10.3 Helium Cylinders

The next step in the site planning for a CryoProbe accessory involves determining the location for the helium gas cylinder. A research grade helium cylinder (grade 6.0, 99.9999%) is supplied by the customer and is connected to the CryoCooling unit. The cylinder must be outside the 5 Gauss line in a serviceable location (i.e. changing the bottle should not interfere with nearby magnets). The helium regulator and a special He gas hose are supplied by Bruker.

Two lengths for the He gas hose line are available (10 m and 20 m).

The helium compressor and helium gas cylinder may be sited in a remote room or in the same room as the spectrometer as shown in the layout examples.

10.4 Summary of CryoProbe Options

Helium Compressors (3 Options)

- Indoor Air Cooled
- Indoor Water Cooled
- Outdoor Air Cooled

Helium Gas Transfer Lines

For Indoor Helium Compressors (3 Options)

- 6 m
- 10 m
- 20 m

For Outdoor Helium Compressors (11 Options)

- 3 m indoor line / 10 m outdoor line
- 3 m indoor line / 20 m outdoor line
- 3 m indoor line / 30 m outdoor line
- 6 m indoor line / 10 m outdoor line
- 6 m indoor line / 20 m outdoor line
- 6 m indoor line / 30 m outdoor line
- 10 m indoor line / 10 m outdoor line
- 10 m indoor line / 20 m outdoor line
- 10 m indoor line / 30 m outdoor line
- 20 m indoor line / 10 m outdoor line
- 20 m indoor line / 20 m outdoor line

Helium Cylinder High Pressure Gas Line (2 Options)

- 10 m
- 20 m

Helium Transfer line from CryoCooling Unit to CryoProbe

- A standard length transfer line, determined by the magnet, is delivered with each CryoPlatform. Longer transfer lines may be ordered if necessary to accommodate the CryoCooling unit in your laboratory. If a longer transfer line is required a special review of your site will be required.

CryoPlatform

CryoCooling Unit

- Located outside 50 Gauss (5 mT) line.
- Must be serviceable from all sides.
- Must be at least 0.5 meters from walls on all sides.

Helium Compressor- Indoor Water or Air Cooled

- Located outside 5 Gauss line.
- Minimum room space is 1.25 m (width) x 0.8 m (depth) x 0.7 m (height).
- Must be serviceable from top and left side.
- The distance between the CryoCooling unit and the helium compressor component is defined by the helium transfer lines ordered.
- Chilled water lines must be supplied to helium compressor (water cooled unit only).
- Ambient operating temperature 5°–28°C.



Note:

The indoor helium compressor has rollers and is connected to flexible helium transfer lines. Water-cooled models are additionally connected to water lines supplied by the customer (typically high pressure flexible water tubing).

Helium Compressor - Outdoor Air Cooled

- Consists of one small indoor unit, one outdoor unit, and transfer lines connecting the units.
- Located outside the 5 Gauss lines (for both the indoor and outdoor unit).
- Requires indoor space of 0.5 m (width) x 1.3 m (depth) x 1 m (height).
- Requires outdoor space of 1.4 m (width) x 1.7 m (depth) x 1.25 m (height).
- The distance between the CryoCooling unit and the two helium compressor components is defined by the transfer lines ordered.
- Ambient operating temperature for outdoor components is -30–45°C.

Helium Cylinder

- The distance between the CryoCooling unit and the helium cylinder is defined by the length of the He gas hose ordered.
- Must be in a serviceable location (to change cylinder and not interfere with magnet).

10.5 CryoProbe Prodigy System (Optional)

The CryoProbe Prodigy uses nitrogen-cooled RF coils and preamplifiers to deliver a sensitivity enhancement over room temperature probes of a factor of 2 to 3. The Prodigy package is comprised of:

- A CryoProbe Prodigy
- The Prodigy Control Unit (PCU)
- A liquid nitrogen vessel.



Figure 10.7: CryoProbe Prodigy and Control Unit

Equipment Dimensions

Prodigy Unit	60 x 40 x 46 cm ³ (L x W x H); add 15 cm for rear connections.
LN2 Dewar	50 x 62 x 135 cm ³ (L x W x H); width includes dewar handles.

Table 10.5: Prodigy System Equipment Dimensions

Electrical Requirements

Prodigy Unit	100-120 VAC / 50-60 Hz / max. 10 A / max. 0.6 kW. 220-240 VAC / 50-60 Hz / max. 5 A / max. 0.6 kW.
Optional Weight Scale	100-120 VAC or 220-240 VAC / 50-60 Hz.

Table 10.6: Prodigy System Electrical Requirements

N₂ Gas Requirements

<p>Case 1: In-house N₂ gas supply used as the main N₂ source.</p>	<p>Pressurized N₂ Gas:</p> <ul style="list-style-type: none"> N₂ content: > 95% by volume Dew point: < -60°C @ 1 bar Pressure: 6-10 bar Oil content: < 0.005 ppm (0.00425 mg/m³) Solid impurities: Use 5 micron filters, filters should retain 99.99% of the specified particles. <p>Capacity:</p> <ul style="list-style-type: none"> Prodigy Unit: 40 l/min. (1.4 cfm) + VT gas: 11 l/min. (0.4 cfm). Sample protection option: Add 40 l/min. (1.4 cfm) to above values.
<p>Case 2: Compressed air with dew point < -25°C available.</p>	<p>Use an N₂ gas separator to generate the required N₂ gas on site (as specified in Case 1). Bruker offers a N₂ Separator (P/N 46540). Requirements for compressed air:</p> <ul style="list-style-type: none"> Pressure: 7-10 bar. Oil content: < 0.005 ppm (0.00425 mg/m³) Solid impurities: Use 5 micron filters, filters should retain 99.99% of the specified particles. Capacity: > 200 l/min. (7 cfm).
<p>Case 3: Compressed air with dew point > -25°C available.</p>	<p>Use an additional air dryer in order to obtain compressed air with a dew point < -25°C @ 1 bar (as specified in Case 2 above). Bruker offers a membrane dryer with 60 l/min., -80°C (P/N 1808577).</p>
<p>Backup N₂ Gas Supply (optional; in addition to any of the main gas supply variants above).</p>	<p>Independent N₂ gas source, e.g. a N₂ gas cylinder fitted with a pressure reducing valve. Specifications: See Case 1 above.</p>

Table 10.7: Prodigy System N₂ Gas Requirements

Ventilation Requirements

Free room volume (exchangeable gas volume) $V_{\text{free}} = V_{\text{room}} - V_{\text{furniture}}$	$\geq 70 \text{ m}^3$.
Fresh air supply rate	$\geq 200 \text{ m}^3 \text{ h}^{-1}$. During LN2 refill: $\geq 400 \text{ m}^3 \text{ h}^{-1}$
Further local regulations may apply.	

Table 10.8: Prodigy System Ventilation Requirements

10.6 CryoFit

This section describes the requirements for the site planning for the CryoFit.

10.6.1 Introduction

A CryoFit converts a standard CryoProbe into a flow probe within a few minutes. The CryoFit is a long metal pole with a flow cell. The flow cell is positioned inside the CryoFit during storage and installation. The outlet capillary is attached to the flow cell and runs inside the metal-pole to the top of the CryoFit. The inlet capillary is attached to the flow cell and is guide during the installation procedure through the VT-air inlet of the probe to the outside.

CryoFits are compatible with all newer 5 mm He-cooled CryoProbes as well as Prodigy CryoProbes.

The CryoFit is inserted from the top of the magnet into the upper part of the shim system (BST Upper Part) is pushed into the magnet until the end of the CryoFit sits in the spinner turbine. After this installation procedure the flow cell is pushed into the NMR probe so that is located in the area of the NMR coils like a sample tube.

10.6.2 Installation Requirements

Two essential requirements have to be observed for the CryoFit.

1. The CryoFit must be **long enough** to that it fits into the BST and the flow cell can reach the magnet center. This requirement is automatically checked during the order review.
 - If a CryoFit is ordered as accessory for an already existing, older magnet the length should be verified as the automatic conversion might not work properly.
 - The automatically selected CryoFits are will be compatible with all types of sample changers and included some security margin. In case a problem with the available ceiling height –see (2) below–, you can verify if the smaller CryoFit fits the current instrument configuration, for example if no SampleChanger is included.
2. The CryoFit requires a minimum ceiling height so that the distance between BST upper part and the ceiling allows the insertion of the CryoFit.
 - The calculation of the required ceiling height depends on many parameters (type of magnet, magnet feet, BST length, type of sample changer).

For the calculation of the magnet ceiling height (MCH) refer to the CryoFit Site Planning Guide.

11 Installation

All the general requirements such as power supply, compressed air supply, etc. which were discussed in the preceding chapters must first be arranged before taking delivery of the system. It must be stressed that any installation requirements listed below such as cryogen supplies, are **in addition** to those needed for normal system operation.

Where necessary the customer is advised to contact the local Port Authorities to clarify arrangements for custom clearance. If the transport crates must be opened you must first contact Bruker, as the crates are shipped utilizing Shockwatch™ and Tiltwatch™. Failure to do this may invalidate the warranty. If the transport crates are opened for any reason they must then be stored indoors (out of direct sunlight).

11.1 Overview

The spectrometer system will arrive at the site in crates. The crates should only be opened by the Bruker BioSpin service engineer. The commissioning of the magnet involves several stages as outlined in the table below. The installation time line given below is an approximation; each site is slightly different.

Duration	Procedure
ca. 3-8 hours	Transport fixtures are removed. Cryostat is assembled.
2-4 days	The magnet is evacuated and flushed through with nitrogen.
1-3 days	Cool down of the magnet with liquid nitrogen.
1 day	Cool down of the magnet with liquid helium.
1-2 days	Charging of the magnet.
1 day	Cryo-shimming of the magnet.
1 day	Running NMR experiments to demonstrate standard specifications.

Table 11.1: Overview of Magnet Commissioning

11.2 Accessibility

Before the arrival on site, the customer must ensure the equipment can be delivered, and transported safely to the final location inside the laboratory.

- Ensure that doorways, passageways and lifts have sufficient clearance.
- Extra large doorways are required for the larger magnets.
- Equipment such as forklifts or hydraulic pallet jacks are necessary for transporting the magnet and accessories.

11.3 Installation Requirements Checklist

For the installation the customer must provide the following:

Lifting equipment and minimum ceiling height as outlined in the table in Charging the Magnet [107] . Pallet jack and/or fork lift for transporting system accessories.	—
A cylinder of N ₂ gas 50l/200 bar (~2 cu.ft, 3000 psi, 4.6 grade) with reducing regulator valves to deliver pressure of 0.5 bar (~8 psi), as specified in Other Specifications [66] .	—
A cylinder of He gas 50l/200 bar (~2 cu.ft, 3000 psi, 4.6 grade) with reducing regulator valves to deliver a pressure of 0.2 bar (~3 psi), as specified in the section Other Specifications [66] .	—
Quantities of liquid helium and nitrogen as specified in the table in Charging the Magnet [107] .	—
Liquid helium and nitrogen transport dewars as specified in Compressed Gas [64] .	—
One power outlet 230V/16A (USA 208V/30A) single phase and two more 230V/16A (USA 208V/20A) single phase power outlets are needed to run a vacuum pump, a heat gun, and a power supply unit. These power outlets must be available in addition to the main power source used to run the spectrometer.	—
Step ladder (non-magnetic e.g. aluminum, fiberglass, or wood).	—
Where possible the customer should provide the following: <ul style="list-style-type: none"> • Heat gun or hand held hair dryer (min. 1200 W). • Cryogenic gloves. • Electric screwdriver. 	—

Table 11.2: Installation Requirements Checklist

11.4 Installation Procedure

The various steps and procedures mentioned in the [Overview \[105\]](#) will be discussed in detail in the following sections.

11.4.1 Magnet Assembly

When the magnet is delivered (do not uncrate it!) it must first be assembled by the installation engineer. The assembly area must be clean, dry and free of dust.

The assembly may require that the engineer works beneath the magnet and thus special rigging equipment is required. Refer to the section [Magnet Access and Rigging \[27\]](#) for special equipment requirements for assembly.

11.4.2 Magnet Evacuation and Flushing with Nitrogen Gas

Once the magnet has been assembled and placed in the magnet room, rough pumping of the cryostat can begin. At the same time the cryostat is flushed through with dry nitrogen gas. The customer must provide a 50l (4.6 grade)/200 bar (~2 cu.ft, 3000 psi) cylinder of dry nitrogen gas (99.996% purity). The cylinder should be fitted with a secondary regulator valve to deliver a pressure of 0.5 bar (~8 psi).

Further pumping of the cryostat is carried out by a turbo pump to reduce the internal pressure.

11.4.3 Cooling the Magnet to Liquid Nitrogen Temperature

This next stage involves filling the magnet with liquid nitrogen. The quantity of liquid nitrogen required is listed in the table in the [Charging the Magnet \[107\]](#). The transfer dewars used for precool generally have a capacity of 250 - 500 liters (attention: maximum pressure < 0.5 bar) with a fixture for pressuring and transferring via a stainless steel or corrugated plastic tube of 10 mm (~3/8") diameter.

11.4.4 Cooling the Magnet to Liquid Helium Temperatures

For this procedure, the customer must provide the following:

- A cylinder of helium gas: 50l (4.6 grade)/200 bar (~2 cu.ft, 3000 psi), 99.996%, with secondary regulator valve to deliver pressure of max 0.2 bar (~3 psi).
- Quantities of liquid helium as specified in the table found in [Charging the Magnet \[107\]](#).
- Liquid helium dewar: 250 - 500 liter capacity, with NW25 flange or suitable outlet compatible with the 10 mm (~3/8").

When ordering the helium the customer should arrange to have it delivered immediately before cooling the magnet to liquid helium temperature. If delivered to the site much earlier, losses due to evaporation will occur and must be taken into account (usually 1% of nominal volume/day).

11.4.5 Charging the Magnet

The final stage involves bringing the magnet to field. This will take 1-3 days depending on the magnet type. During charging there is a possibility for the magnet to experience a quench.

The quantities of liquid helium for final cool down and energization/cryoshimming as well as extra liquid helium required after one quench are specified in the table below. The customer is required to provide the cryogens needed for the complete installation including up to two training quenches.

The values of liquid nitrogen and helium in the table below are the minimum requirements. An extra 20-30% of each is advisable, particularly as many suppliers will take back unused cryogens.

Magnet Transport Weights

Magnet Type	Magnet Weight Empty with Magnet Stand (kg)*	Magnet Weight Filled with Magnet Stand (kg)	LN2 Needed for Precool (l)	LHe Needed for Cool-down and Charging (l)	LHe After a Training Quench (l)
300/54 Ascend ULH (standard/optional stand)	311/399	411/499	300	200	100
400/54 Ascend (standard/optional stand)	417/505	484/572	400	200	100
400/54 Ascend ULH (standard/optional stand)	437/525	532/620	500	300	150
500/54 Ascend (standard/optional stand)	472/560	650/740	400	200	100
500/54 Ascend ULH	1025	1050	600	400	150
600/54 Ascend	730	850	500	300	160
600/54 Ascend ULH	1158	1435	850	600	400
700/54 Ascend	1235	1446	750	500	250
800/54 Ascend	~1626	~1874	850	600	400
<p>ULH = Ultra Long Hold</p> <p>The weights of the accessories are approximations. The actual weight may vary depending on the options and accessories that are ordered.</p> <p>* For standard stand, weight will vary with optional stands.</p>					

Table 11.3: Magnet Transport Weights: Standard Bore 54 mm

Magnet Type	Magnet Weight Empty with Magnet Stand (kg)*	Magnet Weight Filled with Magnet Stand (kg)	LN2 Needed for Precool (l)	LHe Needed for Cool-down and Charging (l)	LHe After a Training Quench (l)
300/89 Ascend (standard/ optional stand)	382/470	540	600	400	150
400/89 Ascend (standard/ optional stand)	593/681	682	600	400	150
500/89 Ascend	698	770	600	400	150
600/89 Ascend	1235	1446	750	500	250
700/89 Ascend	~1691	~2110	1000	900	550
<p>The weights of the accessories are approximations. The actual weight may vary depending on the options and accessories that are ordered.</p> <p>* For standard stand, weight will vary with optional stands.</p>					

Table 11.4: Magnet Transport Weights: Wide Bore 89 mm

Magnet Type	Magnet Weight Empty with Magnet Stand (kg)*	Magnet Weight Filled with Magnet Stand (kg)	LN2 Needed for Precool (l)	LHe Needed for Cool-down and Charging (l)	LHe After a Training Quench (l)
200/154 Ascend	649	780	480	200	100
300/154 Ascend	649	780	480	200	110
<p>The weights of the accessories are approximations. The actual weight may vary depending on the options and accessories that are ordered.</p> <p>* For standard stand, weight will vary with optional stands.</p>					

Table 11.5: Magnet Transport Weights: Super Wide Bore 154 mm

12 Contact

Manufacturer:

Bruker Switzerland AG
Industriestrasse 26
CH-8117 Faellanden
Switzerland

E-Mail: nmr-support@bruker.com
<http://www.bruker.com>

Bruker BioSpin Hotlines

Contact our Bruker BioSpin service centers.

Bruker BioSpin provides dedicated hotlines and service centers, so that our specialists can respond as quickly as possible to all your service requests, applications questions, software or technical needs.

Please select the service center or hotline you wish to contact from our list available at:

<https://www.bruker.com/service/information-communication/helpdesk.html>

List of Figures

Figure 2.1:	Stronger Fringe Fields in Vertical Direction than in Horizontal Direction	9
Figure 3.1:	Spectrometer and Magnet Control.....	22
Figure 3.2:	CryoProbe System.....	23
Figure 3.3:	CryoProbe Prodigy with Pump & Control Unit and LM2 Tank	24
Figure 3.4:	Other Options for AVANCE NEO Systems.....	25
Figure 4.1:	A-Frame Gantry for Lifting the Magnet Inside the Magnet Room	35
Figure 5.1:	Ceiling Height Requirements	38
Figure 5.2:	Helium Transfer Lines.....	39
Figure 6.1:	Example of a Fringe Field Plot.....	46
Figure 7.1:	Threshold Values of Floor Acceleration.....	48
Figure 7.2:	Threshold Values of Floor Acceleration: Tolerance Level for EMI Dampers	50
Figure 7.3:	Example of the Bruker Tolerance Level for Elastomer Dampers. Resolution <0.125 Hz, 1...200 Hz, > 30 min, Average Measurement 1 (displayed in velocity).....	51
Figure 7.4:	Elastomer Dampers	51
Figure 7.5:	Example of the Bruker Tolerance Level for ADI Dampers. Resolution <0.125 Hz, 1...200 Hz, > 30 min, Average Measurement 1 (displayed in velocity).....	52
Figure 7.6:	ADI Dampers	53
Figure 7.7:	Tolerance Level Nano-C for API Dampers	53
Figure 7.8:	Example of the Bruker Tolerance Level for API Dampers. Resolution <0.125 Hz, 1...200 Hz,> 30 min, Average Spectra Measurement 1 (displayed in velocity)	54
Figure 7.9:	Schematic Drawing of an API Type Damping System.....	54
Figure 7.10:	Specification Framework with the Magnetic Field Represented as 0 to Peak Values ..	59
Figure 8.1:	AVANCE Spectrometer with Internal Preamp	63
Figure 8.2:	AVANCE Spectrometer with External Preamp (HPPR/2).....	64
Figure 8.3:	Example of a Typical Dryer/Filter System Setup	67
Figure 8.4:	Emergency Quench Pipes	76
Figure 9.1:	Top View of an Ascend Magnet.....	79
Figure 9.2:	Magnet Dimensions	81
Figure 9.3:	Example of a Simple Magnet Platform	84
Figure 9.4:	Ascend 400 Layout Example	87
Figure 9.5:	Top View of the Ascend 400 Magnet.....	88
Figure 9.6:	800 MHz Layout Example.....	89
Figure 9.7:	Top View of the Ascend 800 Magnet.....	90
Figure 10.1:	CryoProbe System Overview.....	92
Figure 10.2:	Admissible Ranges for the Temperature and Flow of the Cooling Water.....	94
Figure 10.3:	Cooling Water Typical Flow Characteristics	95
Figure 10.4:	Helium Compressor - Indoor Water Cooled.....	96
Figure 10.5:	Helium Compressor - Indoor Air Cooled	96
Figure 10.6:	Helium Compressor - Outdoor Air Cooled	97
Figure 10.7:	CryoProbe Prodigy and Control Unit	101

List of Tables

Table 1.1:	Metric to American Conversion Factors.....	8
Table 2.1:	Action Levels for Magnetic Flux Density of Static Magnetic Fields.....	10
Table 2.2:	ELVs for External Magnetic Flux Density (B ₀) and 0 to 1 Hz	12
Table 2.3:	Example of Maximum Retention Periods.....	13
Table 2.4:	BGV B15 Standards for Standard Precautions and Users	14
Table 2.5:	BGV B15 Standards Under Special Conditions for Selected Subgroups	14
Table 4.1:	Door Dimensions: Standard Bore 54 mm	29
Table 4.2:	Door Dimensions: Wide Bore 89 mm	30
Table 4.3:	Door Dimensions: Super Wide Bore 154 mm.....	30
Table 4.4:	Door Dimensions for Magnet Stand: Standard Bore 54 mm	31
Table 4.5:	Door Dimensions for Magnet Stand: Wide Bore 89 mm.....	32
Table 4.6:	Door Dimensions for Magnet Stand: Super Wide Bore 154 mm	32
Table 4.7:	Magnet Transport Weights: Standard Bore 54 mm	32
Table 4.8:	Magnet Transport Weights: Wide Bore 89 mm.....	33
Table 4.9:	Magnet Transport Weights: Super Wide Bore 154 mm	33
Table 4.10:	Door Dimensions for Magnet Room Access: Spectrometers	33
Table 4.11:	Crate Dimensions and Weights for Accessories.....	34
Table 5.1:	Helium Transfer Line Dimensions.....	39
Table 5.2:	Minimum Ceiling Height Requirements: Standard Bore 54 mm	41
Table 5.3:	Minimum Ceiling Height Requirements: Wide Bore 89 mm.....	41
Table 5.4:	Minimum Ceiling Height Requirements: Super Wide Bore 154 mm	41
Table 6.1:	Effects of Magnetic Fields on Equipment	43
Table 6.2:	Horizontal Fringe Fields: Standard Bore 54 mm.....	44
Table 6.3:	Horizontal Fringe Fields: Wide Bore 89 mm	44
Table 6.4:	Horizontal Fringe Fields: Super Wide Bore 154 mm	44
Table 6.5:	Vertical Fringe Fields: Standard Bore 54 mm.....	45
Table 6.6:	Vertical Fringe Fields: Wide Bore 89 mm	45
Table 6.7:	Vertical Fringe Fields: Super Wide Bore 154 mm.....	45
Table 7.1:	Application and Interpretation of the Generic Vibration Criterion (VC) Curves.....	48
Table 7.2:	EMI Damping System (Elastomeric Isolators)	50
Table 7.3:	ADI Damping System (Elastomeric Isolators).....	52
Table 7.4:	Tolerance Level for API Damping System	54
Table 7.5:	Recommendations for Static Magnetic Objects	55
Table 7.6:	Recommendations for Moveable Magnetic Objects	55
Table 7.7:	List of Most Commonly Studied Nuclei and Corresponding Resonance Frequencies	60
Table 8.1:	Requirements of Basic System (2 Channels)	62
Table 8.2:	Pressure and Flow Requirements	65
Table 8.3:	VT Nitrogen Gas Quality (500 MHz and above)	66
Table 8.4:	Maximum Humidity in the NMR Laboratory	72

List of Tables

Table 8.5:	Heat Dissipation into the Room by Typical AVANCE NEO Systems.....	72
Table 8.6:	Total Gas Volume and Maximum He Gas Flow: Standard Bore 54 mm	74
Table 8.7:	Total Gas Volume and Maximum He Gas Flow: Wide Bore 89 mm	74
Table 8.8:	Total Gas Volume and Maximum He Gas Flow: Super Wide Bore 154 mm	74
Table 9.1:	Dimensions and Weights of NMR Equipment.....	80
Table 9.2:	Magnet Dimensions and Weight: Standard Bore 54 mm.....	82
Table 9.3:	Magnet Dimensions and Weight: Wide Bore 89 mm	82
Table 9.4:	Magnet Dimensions and Weight: Super Wide Bore 154 mm	82
Table 9.5:	Maximum Field Strength for NMR Equipment	85
Table 10.1:	CryoCooling Unit Specifications	93
Table 10.2:	Cooling Water Specifications	95
Table 10.3:	Technical Data for Indoor Compressors	97
Table 10.4:	Technical Data for Outdoor Compressors	98
Table 10.5:	Prodigy System Equipment Dimensions.....	102
Table 10.6:	Prodigy System Electrical Requirements.....	102
Table 10.7:	Prodigy System N2 Gas Requirements	102
Table 10.8:	Prodigy System Ventilation Requirements	103
Table 11.1:	Overview of Magnet Commissioning	105
Table 11.2:	Installation Requirements Checklist.....	106
Table 11.3:	Magnet Transport Weights: Standard Bore 54 mm	108
Table 11.4:	Magnet Transport Weights: Wide Bore 89 mm.....	109
Table 11.5:	Magnet Transport Weights: Super Wide Bore 154 mm	109

Index

A

Air conditioning	56
Airplanes	47
Automobiles	47
AVANCE NEO	62

B

BCU	62
B-CU-I	
Dimensions and weight	80
BCU-I cooling unit	64, 66
BCU-I Unit	22
BCU-II	
Dimensions and weight	80
BCU-II cooling unit	66
BCU-II Unit	22
Breathing equipment	19
Buffer containers	67

C

CCU (CryoCooling Unit)	62
Compressors	47
Constant flow rate	68
Construction sites	47
Crates	28
CryoCooling unit	65
Cryogen	
Transport dewars	17
Cryogenic liquids	16
Storage containers	16
Cryogenics	
Boil-off of liquids	15
Cryogenic gas to liquid volume ratios	15
High pressure gas-packs	17
Safe handling of cryogenic liquids	16
CryoProbe Prodigy	101

D

D.C. operated elevators, trains	55
DC EMF	57
Dewars	86

E

EAPD	73
Earthquakes	18
Electric motors	56
Electrical outlets	86
Electrostatic Discharge	83

Elevators	17, 56
Emergency access	19
Emergency Plan	19
Emergency Sample Protection Device	65
ESD resistant flooring	83
External Disturbance Suppression	59

F

Fans	47
Faraday cage	60
Ferromagnetic materials	55
Ferromagnetic objects	10
Fire extinguishers	19, 77
Floor Types	
PVC	83
Vinyl	83
Wood	83
Fluxgate magnetometer	57
Fork Lift	35

G

Gas cylinder	17
Gas cylinder storage	86
generator	61
Generators	47

H

Heat detectors	77
Heat source	79
Helium gas cylinder	23
Helium gas supply	
CryoCooling Unit	93
HF environments	60
HF transmitters	56
Homogeneity	55
HVAC system	73

L

Lifting hook	37
Liquid helium refill	17
Lock hold	57
Loose ferromagnetic objects	10

M

Machinery	47
Magnet maintenance	21
Magnet pits	83
Magnetic field	9
Exclusion zone	10
Magnetic field strength	14
Magnetic flux density	14
maximum point load	80
Medical implants	9, 10

MicroImaging Cabinet	
Dimensions and weight	80
minimum ceiling height	40

N

NEO	62
Nitrogen	
Safe handling during refills	17
nitrogen separator	65

O

Oil Content:	66
Optical smoke detectors	77
overall floor load	80
Oxygen level sensors	75
Oxygen-cylinders	19

P

Pacemakers	9
Pallet Jack	35
Power consumption	
CryoCooling Unit	93
Power lines	56
Power transformers	56
pre-action sprinkler system	77
Pressure relief valve	17
Prodigy	24
Prodigy Control Unit	101
Prodigy Unit	
Dimensions and weight	80

Q

Quench	16
Helium evaporation	74

R

Radio's	59
Refilling	
Safe handling of liquid nitrogen	17
Rigging equipment	
Lifting hook	37

S

Safety	
Exclusion zone	10
Ferromagnetic objects	10
Magnetic field	9
Medically active implants	10
Safe handling of cryogenic liquids	16
Safe handling of liquid nitrogen	17
Ventilation	15
Sample Changers	61

SampleCase	25
SampleJet	25
SampleXpress	25
Satellite systems	59
Satellites	56
Service access	
Magnet	86
Spectrometer	86
Solid Impurities	66
Standard Operating Procedures	19
Subways	56
Sunlight	79
Support beams	79

T

Television broadcasts	59
Television stations	56
temperature sensors	77
Trains	47
Trams	56
Transformers	56

U

UPS	61, 62
-----------	--------

V

Ventilation	
Emergency ventilation	15
HVAC systems	15
When using a magnet pit	83
Vibration	
Guidelines	48
Vibrations	47
Voltage stabilizer	61
VT gas	22
VT Nitrogen Gas Quality	66
VT work	65

W

Water Content:	66
Workstation	
Dimensions and weight	80





Bruker Corporation

info@bruker.com
www.bruker.com

Order No: H157654